

BROOKVENT

airduct^o

SEMI RIGID

**THE PROFESSIONALS
CHOICE**

*for efficient, high performance
MVHR ductwork installations.*



SAP APPENDIX Q LISTED

   brookvent.co.uk

BROOKVENT airduct^o SEMI RIGID

THE PROFESSIONALS CHOICE

for efficient, high performance MVHR ductwork installations.

The BROOKVENT airduct SEMI RIGID range is a professional, air-tight, easy install ducting solution system for Heat Recovery Ventilation (HRV / MVHR) installations. The range is tested and listed by the BRE in the UK and can be used with the Standard Assessment Procedure (SAP) calculations in line with Appendix Q.

WHY CHOOSE AIRDUCT SEMI RIGID?

- Airtight, continuous ducting runs
- Simplified system design
- Faster, easier installation
- Eliminates cross-talk between rooms
- Reduced number of components to seal & fit
- Lightweight & easily transported
- Antibacterial properties
- Great crush resistance

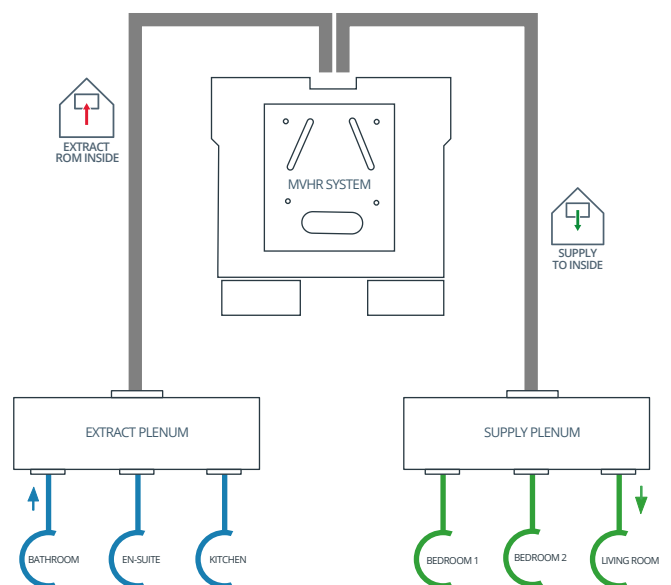
TECHNICAL DATA

- HDPE (High density polyethylene) double wall construction
- Compression strength: 8 kN/m² (PN50086-24)
- Flexibility: 0.35m radius achieved at +20 Degrees Celsius
- Operational temperature range -20 to +60 Degrees Celsius
- Ducting elongation at break: 50%
- EPDM Gasket seals
- Galvanised Steel 275 Plenum boxes
- Comparatively low airflow resistance

Airflow Velocity	2m/s	2.5 m/s	3 m/s
Pressure Drop	2.6Pa	4.0 Pa	6.0 Pa

FITTING OUTLINE

- Each plenum box (supply and extract) should be located as close to the heat recovery unit as possible
- Supply and extract ducting runs are each connected to a dedicated plenum box
- Plenum boxes should be securely mounted using the tabs provided
- To connect the semi rigid ducting to the plenum:
 1. Place the gasket ring on the second corrugation of the semi rigid ducting
 2. Lubricate the gasket ring to ease the push fit connection to the plenum box
 3. Secure the semi rigid ducting to the plenum box with the duct clip
- In-line airflow balancing dampers should be installed close to the plenum box, as required
- Ducting should be secured to the building structure using suitable banding
- Any excess plenum box outlets should be sealed with plenum box caps
- Ducting and plenum boxes located outside the heated envelope of the building should be insulated
- Where ducting penetrates a fire barrier, suitable fire solutions should be used



75mm OD SEMI-RIGID DUCT 50m COIL

DIAMETER

DN 75 mm, DI 61 mm, 50 m

MATERIAL

plastic HDPE

NUMBER

AF 70-50-50M-75



75mm OD SEMI-RIGID DUCT 50m COIL - SILVER, ANTIBACTERIAL LINING

DIAMETER

DN 75 mm, DI 61 mm, 50 m

MATERIAL

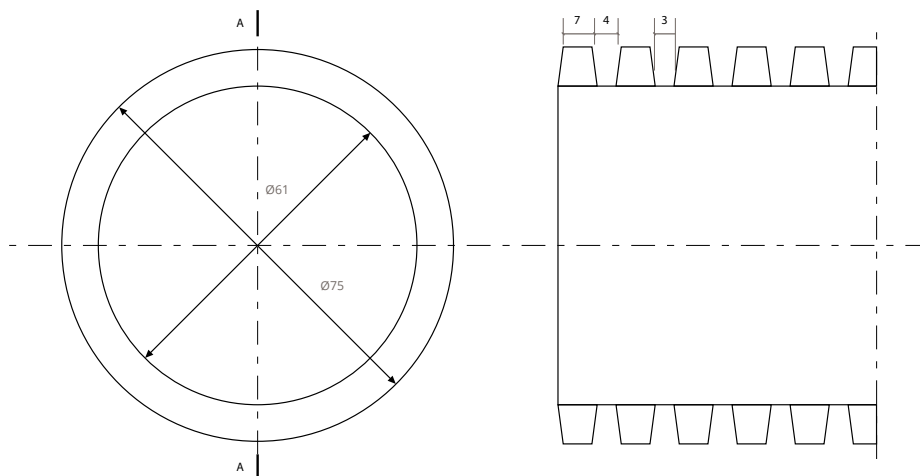
plastic HDPE

NUMBER

AF 70-50-50M-75AB



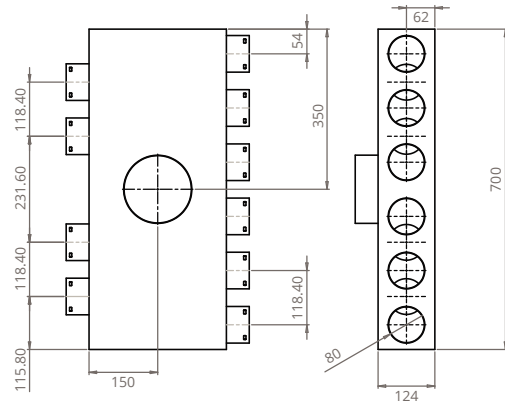
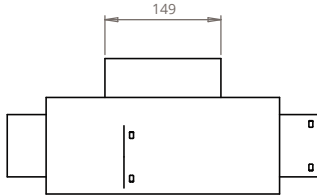
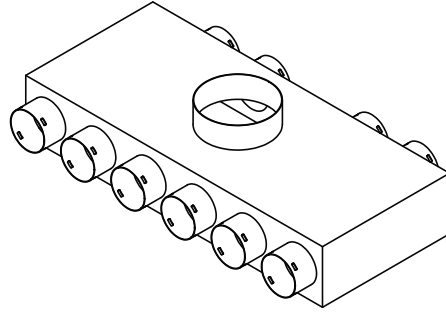
The product's antibacterial lining contains silver nano-particles which protect against the growth of micro-organisms such as, bacteria, fungi and mildew.



TOP ENTRY 150 ROUND PLENUM - 10No. 75mm

MATERIAL
Galvanised steel 275

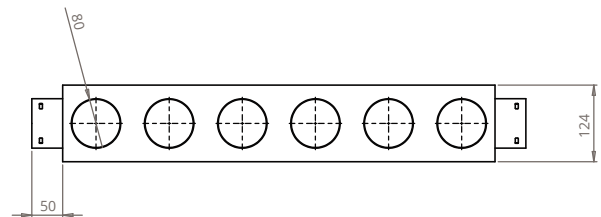
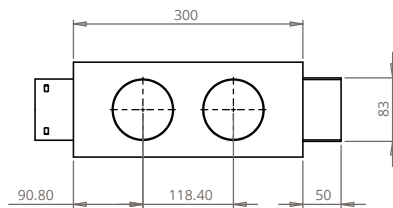
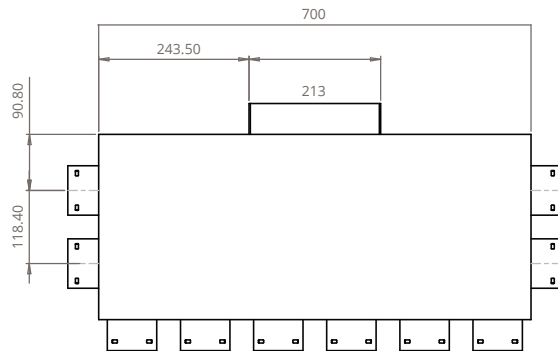
PART NUMBER
AF-70-50-10X150TE



REAR ENTRY 220 x90 RECTANGULAR PLENUM - 10No. 75mm

MATERIAL
Galvanised steel 275

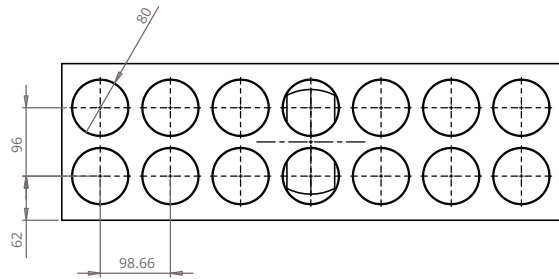
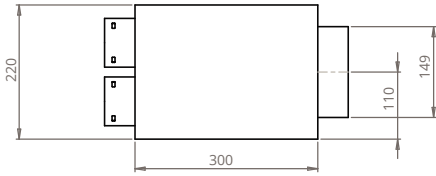
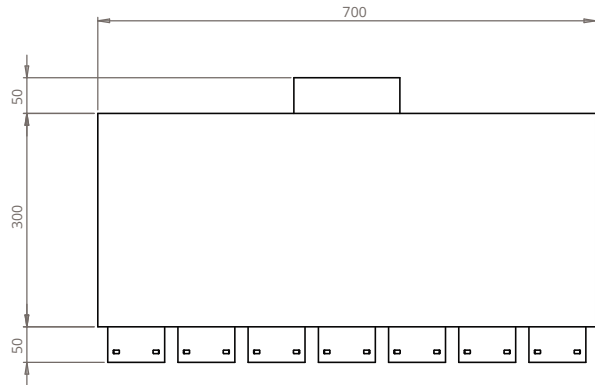
PART NUMBER
AF-70-50-10X220X90RE



REAR ENTRY 150 ROUND PLENUM - 14No. 75mm

MATERIAL
Galvanised steel 275

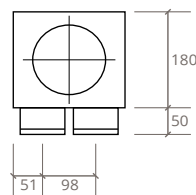
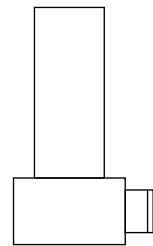
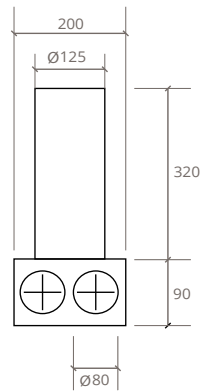
PART NUMBER
AF-70-50-14X150RE



TOP ENTRY 125 VALVE PLENUM - 2No.75mm 320mm LENGTH

MATERIAL
Galvanised steel 275

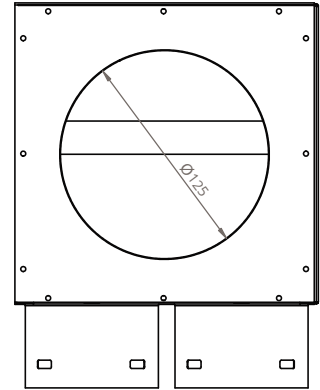
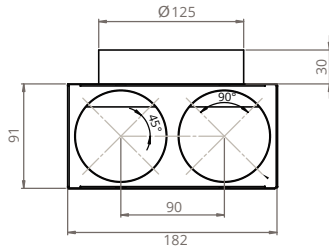
PART NUMBER
AF-70-50-2X125TE70



TOP ENTRY 125 VALVE PLENUM - 2No. 75mm 30mm LENGTH

MATERIAL
Galvanised steel 275

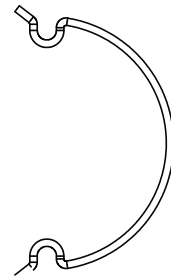
PART NUMBER
AF-70-50-2X125TE30



PLENUM BOX DUCT CLIP

MATERIAL
Galvanised steel 275

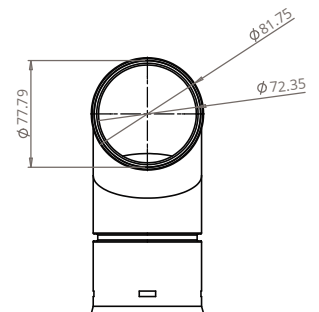
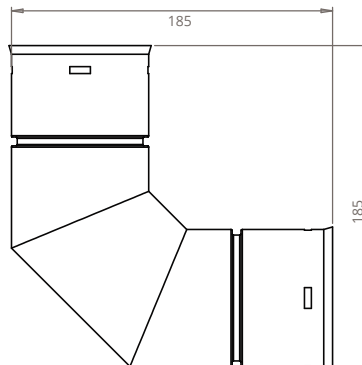
PART NUMBER
AF-70-50-75DF



90 DEGREE ELBOW BEND

MATERIAL
Galvanised steel 275

PART NUMBER
AF-70-50-7590



75mm ROUND FIRE SLEEVE

PART NUMBER
AF-70-50-75FS



2 hours fire resistance to plastic pipes and ventilation ducts where they penetrate fire compartment walls and floors.

- Only one unit required per penetration
- Can be retro-fitted
- Easy to install with no mechanical fixings required
- Tested to the temperature and pressure conditions of BSEN 1363-1: 1999 and the principles of BSEN 1366-3: 2009

75mm SEMI-RIGID DUCT INSULATION - 10m

PART NUMBER
AF-70-50-R1080



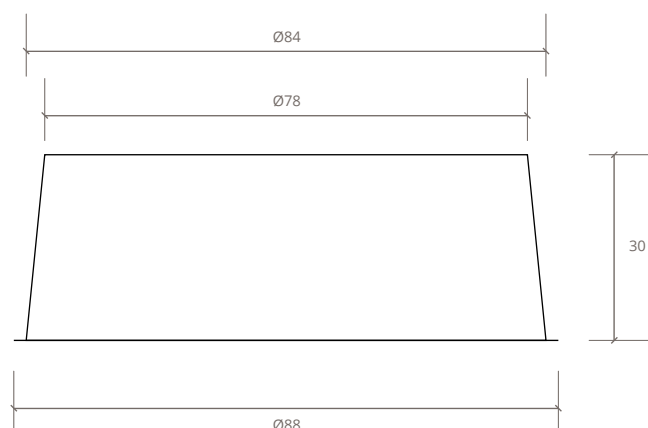
Insulated Aluminium Ducting Sleeve – Consists of an aluminium laminated outer jacket and provided with glass wool insulation layer.

The thermal insulation is suitable for preventing condensation and minimizing heat loss.

Barrier:	Polyester film
Glass wool blanked:	25mm, 16kg/m ³
Outer jacket:	Alu/Poly laminate
T-value glass wool:	0.65 m ² K/W
Thermal conductivity:	0.037w/m.k
Temperature range:	-30 °C to 140 °C

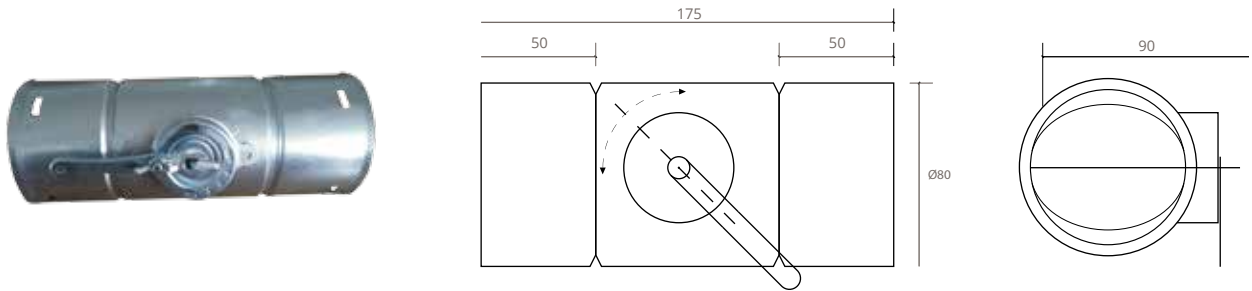
75mm PLENUM BOX CAPS

PART NUMBER
AF-70-50-PC



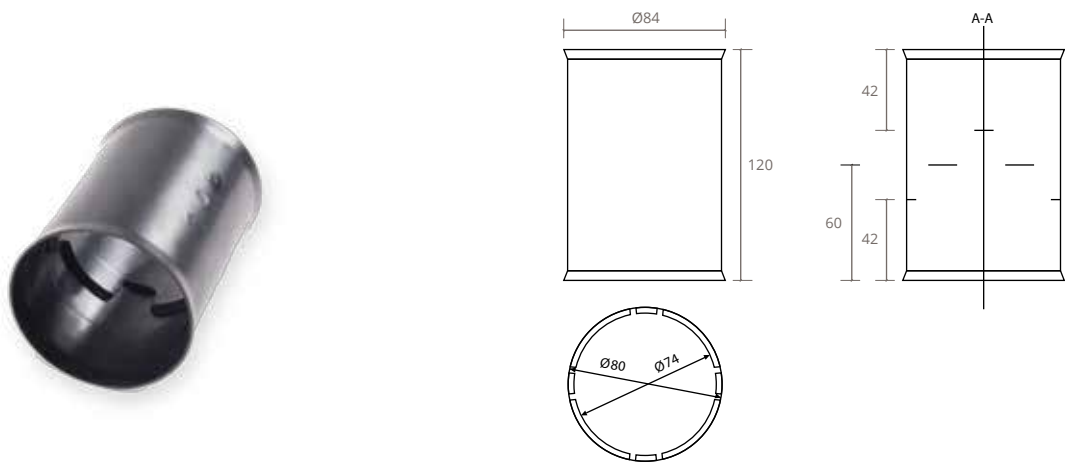
SEMI-RIGID DUCT - BALANCING DAMPER

PART NUMBER
AF-70-50-75BD



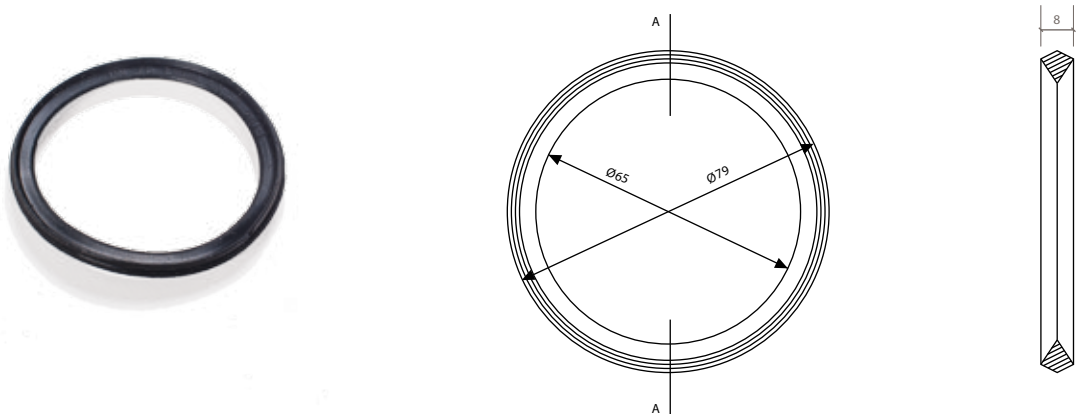
75mm SEMI-RIGID DUCT CONNECTOR

PART NUMBER
AF-70-50-75DC



75mm SEMI-RIGID DUCT - SEALING GASKET RINGS

PART NUMBER
AF-70-50-75GR



BROOKVENT

Brook House
Dunmurry Industrial Estate
Dunmurry
Belfast
BT17 9HU

T: +44 (028) 6091 6505
F: +44 (028) 9061 6518
E: orders@brookvent.co.uk