

BROOKVENT[™]
airstream
Xe

INTERMITTENT EXTRACT VENTILATION



BROOKVENT

EC EC
MOTOR

 **HEALTHY**
IAQ

2 YEAR
WARRANTY

Retrofit 

KEY FEATURES

BROOKVENT airstream Xe is a discreet intermittent decentralised mechanical ventilation unit suitable for new build and refurbishment projects. The unique fan impeller design reduces turbulence to maximize airflow with minimal noise. Units can be wall, panel, window, or ceiling mounted extracting stale air directly to outside or through a short run of ducting.

- VERY QUIET
- QUICK REMOVAL OF STALE AIR
- LOW RUNNING COST
- EASY MAINTENANCE

- **IPX4** protection degree.
- **Aerodynamic deflectors** on the housing to reduce air turbulences and designed to maximise airflow.
- **Rigid optimised spigot** preventing deformation and designed to maximize airflow.
- **Low power consumption:** Efficient EC motor consuming even less than 8 watts (100mm models).
- **100mm and 150mm** diameter versions available
- **Versatile installation:** wall/panel, ceiling and window.
- **Totally recyclable plastic components**, environmentally friendly.
- **Double insulated:** no earth connection is required.
- **Tested to the latest standards:**
 - units are tested in the TÜV Rhineland laboratory, meaning accurate, up to date information on electrical safety, performance and noise level that can be relied upon
 - designed and manufactured in accordance with EN60335-2-80 (Low Voltage Directive) and the EMC Directive (Electromagnetic Compatibility)
 - designed and manufactured in accordance with EN60335-2-80 (Low Voltage Directive) and the EMC Directive (Electromagnetic Compatibility)

VERSIONS

Airstream Xe

The fan is operated via a separate ON/OFF switch or the light switch.

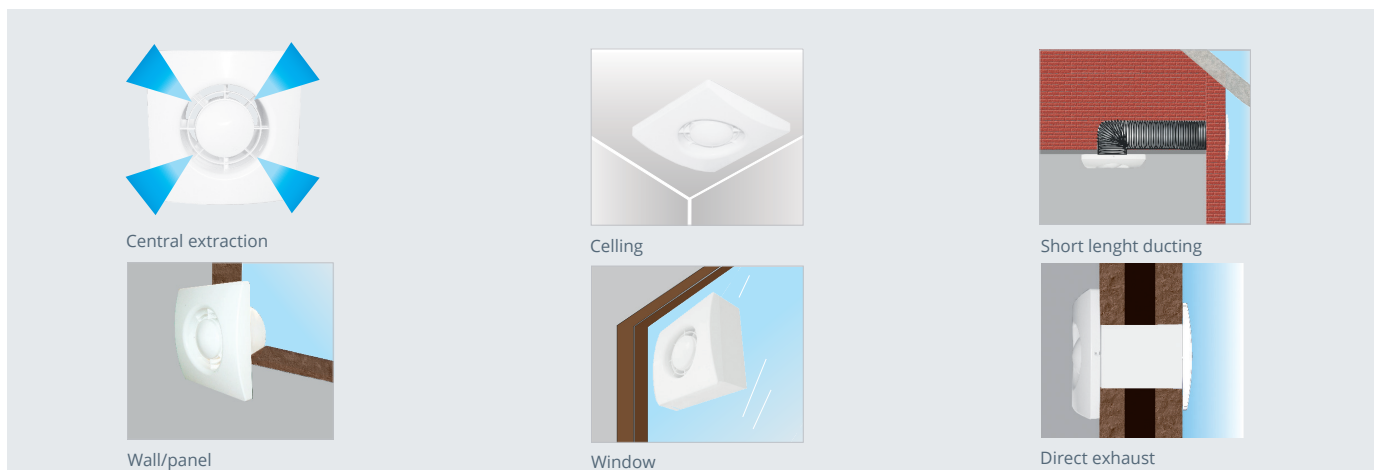
Airstream Xe T

The fan is equipped with a timer circuit adjustable from 1 to 25 minutes delay. After switching off, the fan continues to run for the pre-set period.

Airstream Xe HT

The fan is provided with an electronic circuit with a humidity sensor on board (adjustable from 50% to 95% RH) and a timer, adjustable from 1 to 25 minutes delay. When the level of relative humidity is higher than the pre-set threshold, the fan is automatically activated. When the relative humidity goes below the set level, the fan continues to run for the preset period.

INSTALATION

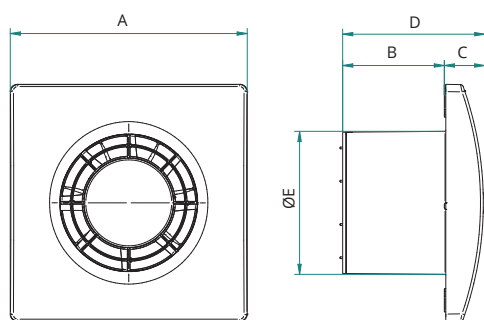


VERSIONS & DIMENSIONS (mm)

airstream Xe 100
 airstream Xe 100 T
 airstream Xe 100 HT
 airstream Xe 150
 airstream Xe 150 T
 airstream Xe 150 HT

Product code: AF 90-XE-100
 Product code: AF 90-XE-100T
 Product code: AF 90-XE-100HT
 Product code: AF 90-XE-150
 Product code: AF 90-XE-150T
 Product code: AF 90-XE-150HT

Model	Weight	A	B	C	D	E
airstream Xe 100	0.6 kg	164	70	28	98	99
airstream Xe 150	1.2 kg	218	97	27	124	148

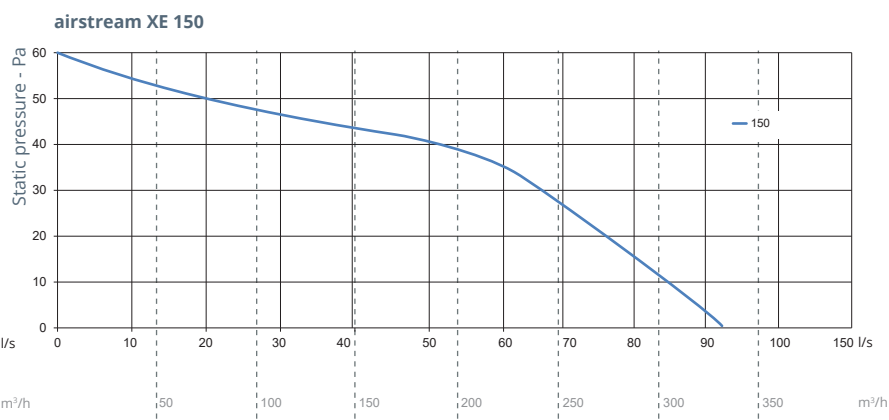
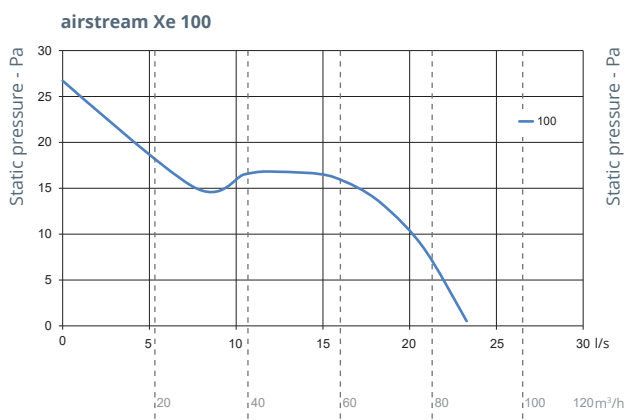


PERFORMANCE DATA / ACOUSTIC

Model	airstream Xe 100	airstream Xe 150
Air-flow l/s	24	92
Power consumption W	8	24
Sound pressure db(A) @ 3m (1)	max 26	max 42
Ambient temp. °C max	50	50
Degree of protection IP	X4	X4
Marking	CE	CE

- air performance measured according to ISO 5801 a 220-240V ~ 50Hz, air density 1,2Kg/m³.
 - data measured in the TUV Rheinland recognised laboratory
 (1) sound pressure level @ 3m in free field, for comparative purposes only.

PERFORMANCE CURVES



BROOKVENTTM

Brook House
Dunmurry Industrial Estate,
City Business Park, Dunmurry,
Belfast BT17 9HU
T: +44 28 9061 6505
F: +44 28 9061 6518

e-mail: info@brookvent.co.uk
brookvent.co.uk

