

Innovative technology

The **airstream ACE** is a compact and highly efficient Mechanical Extract Ventilation (MEV/CMEV) system, specifically designed for housing and apartment dwellings



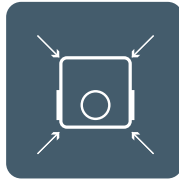
0.16 W/l/s
**Specific
Fan Power**

Key features



Suitable for all wet rooms

Fully controllable, integrated, humidistat, to accurately manage internal humidity levels.



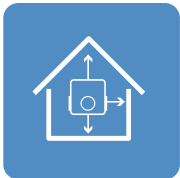
Compact design

Compact design options to fit attic, service void, and plant room applications.



Continuous running

Continuous fan ensures removal of indoor pollutants and good IAQ.



Versatile installation to wall, ceiling, floor

Multiple mounting options to suit any unit location.



BMS capability,

Volt free contact boost capability,

Fully controllable by airstream ACE wall switch

Overrun timer can be set to suit occupant requirements from 1-100 minutes. The overrun can be triggered from the ACE wall switch or any 230 volt input,

Integral Humidistat allows commissioning engineer to set a humidity level on the Airstream ACE wall switch. Humidity levels constantly monitored and system will boost automatically when above the set point.

The Airstream Control Indicator ensures full compliance with TGD Part F 2019



Benefits

Installing a central extract ventilation system is not only an excellent method of whole house ventilation, it **eliminates the requirement for localised and often noisy extractor fans**. Additionally no trickle vents are required in the wet rooms and in the habitable rooms they are much smaller than normal. With only one exhaust to atmosphere, the aesthetic integrity of the dwelling facia can be maintained; and with only one fan, it is significantly more cost effective to run than the multiple localized fans mentioned earlier in the paragraph.

The Brookvent airstream ACE central extract system ventilates very quietly in the background, constantly removing stale and polluted air. With boost facilities, the Brookvent airstream ACE can quickly and efficiently deal with any peaks in moisture levels or other pollutants.

Application

The Brookvent airstream ACE removes the need for individual fan units in each wet room. Providing an efficient single fan ventilation unit with duct connections to each wet room, the Brookvent airstream ACE manages their flow in these areas, offering lower running costs and only one exterior vent. The BROOKVENT airstream ACE is suited for a wide variety of housing applications, as well as toilet units in commercial premises. The compact design and versatility of ducting compatible components, 125mm, 204x60mm or 75mm, means that it is ideal for any install application.

Multiple Ducting Options

round, rectangular, semi rigid

WALL, FLOOR or CEILING Mount

The **airstream ACE** comes in 3 different options to connect to the most common ducting types; round, flat pack, or semi-rigid ducting. The ACE has been designed and tested the ACE to provide the same airflow performance and high efficiency, no matter what ducting type has been selected. The different duct connections are available to suit various installation requirements and property types.



● Floor



● Wall



● Ceiling

Benefits

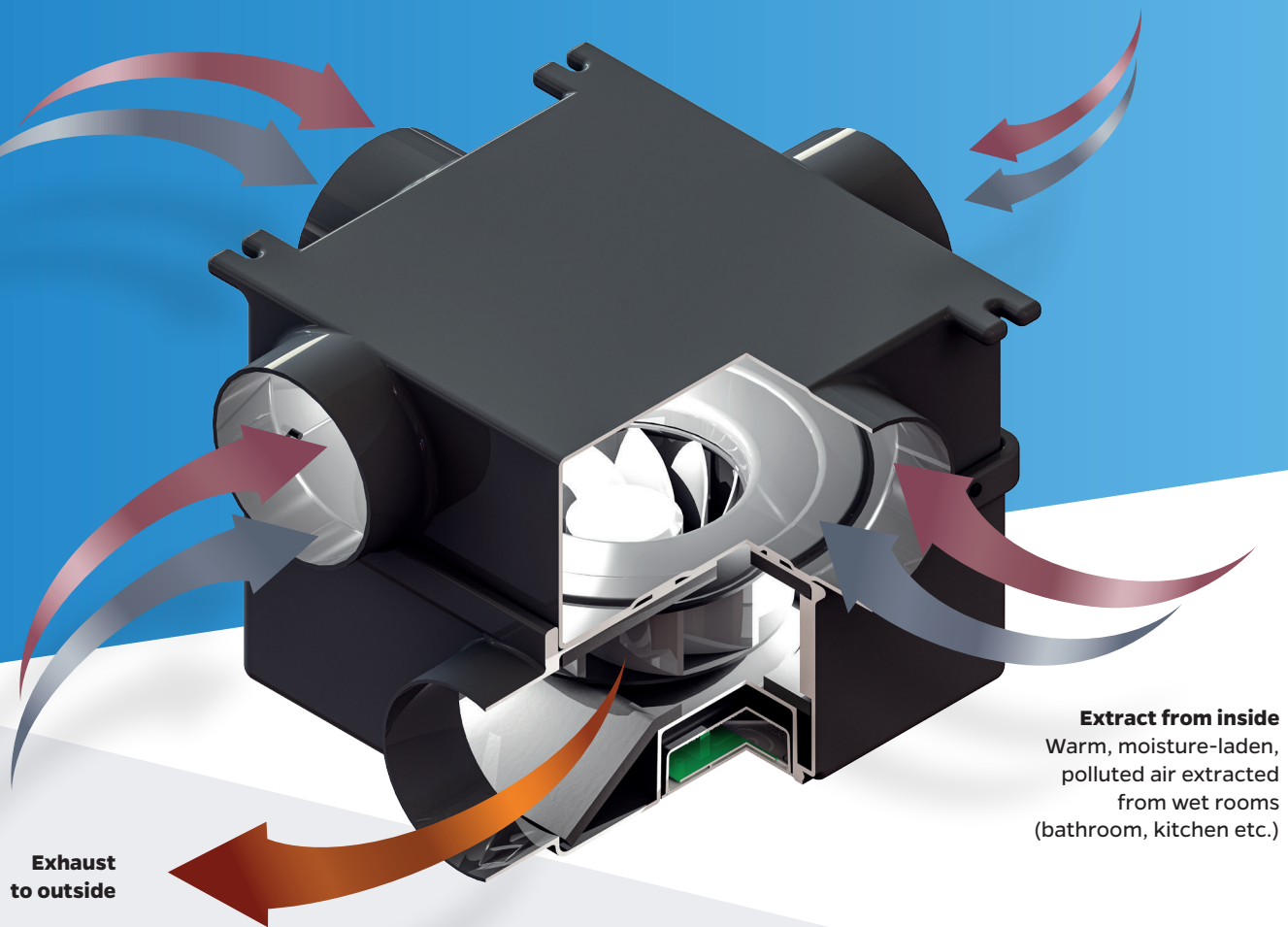
The Brookvent airstream ACE has been designed with the installer and end user in mind. ***The user-friendly smart controller can be mounted in remote location to the fan.***

This switch enables the commissioning without the need to return to the location of the unit. Users see the exact status of the ventilation mode and can cycle between the trickle, boost and purge speeds as required as well as specific fault indication.

Versatile installation

options for a quick and easy fit

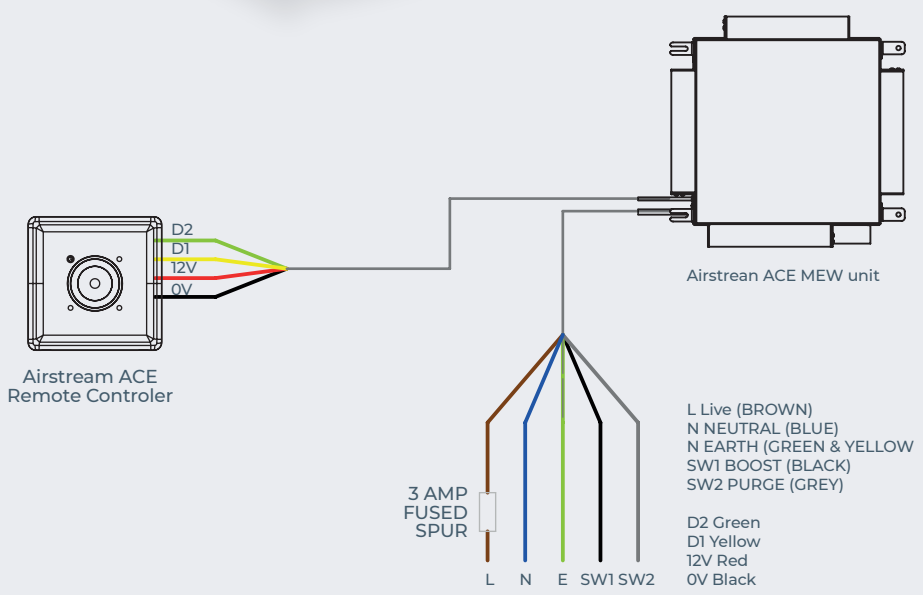
Three different mounting types to suit your project requirements. One performance standard. Zero compromise. Unlike competitor products, the intelligent design of the **airstream ACE** allows it to be supplied in wall, floor or ceiling mount while retaining the same high efficiency, low specific fan power and airflow performance



Extract from inside
Warm, moisture-laden, polluted air extracted from wet rooms (bathroom, kitchen etc.)

Exhaust to outside

Wiring



Electrical connections should be carried out in accordance to IEE regulations by a qualified electrician. The unit is supplied with a flying lead for connection to the mains supply.

The airstream ACE unit comes pre-wired with 2m length of 5-core cable and pre-connected with a 2m length of alarm cable for connection to the remote display.

Airstream ACE Remote Controller _____

Main features

- Allows to set separate speed for every mode,
- Colour LEDs indicate different operational modes,
- Red LED indicates Fault condition,
- Manual push button used to cycle through the modes,
- Fits in a standard Back Box



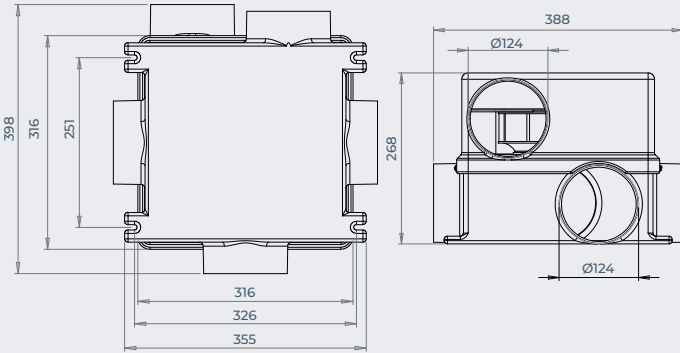
The airstream ACE Remote controller is a combined status indicator, boost switch, and fan speed controller. The innovative ACE controller allows the commissioning engineer to set 3 separate speeds (trickle, boost, purge). Each speed can be set accurately to achieve designed airflows from 10-100% fan speed. The integrated humidistat can also be set in the system. The engineering controls are set behind the front cover to allow commissioning from within the property. The intuitive controller allows the occupant to simply change between fan speeds from the ACE controller, with a different LED colour and icon for each speed setting; green = trickle, blue = boost, purple = purple.



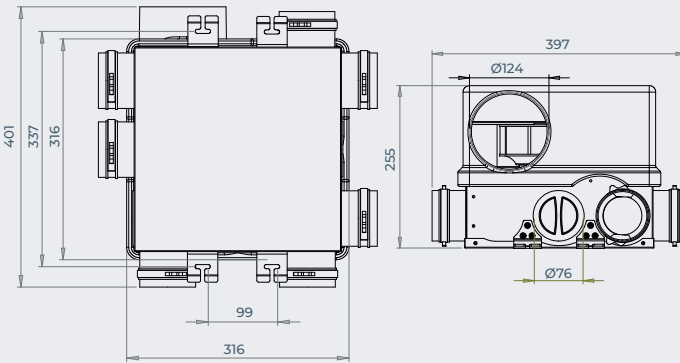
Product dimensions

airstream ACE (height x width x depth)

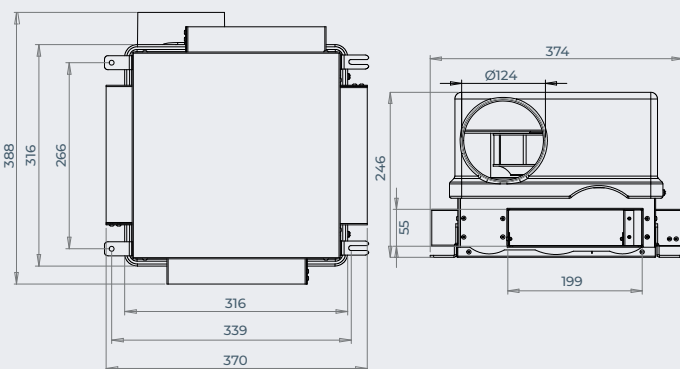
Circle duct - Ø 124 [mm]
355 x 398 x 268 [mm]



Circle duct - Ø 124 [mm]; Ø 76 [mm]
401 x 397 x 255 [mm]



Rectangular duct - 199 x 55 [mm]
Circle duct - Ø 124 [mm]
370 x 388 x 246 [mm]



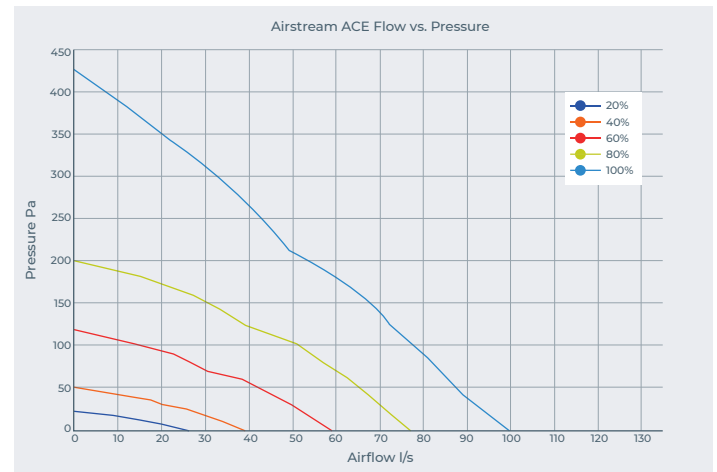
Technical specification

Weight	5 kg
Available ducting	Ø 125 mm, Ø 75 mm, 204x60
Number of extract	max. 11
Materials	Powder coated Zinc plated steel
Supply voltage	230V / single-phase / 50Hz
Maximum power	38 W
Current draw	0.5 A
Fuse rating	3 A
Specific Fan Power	0.16 W/l/s

Sap PCDB test results

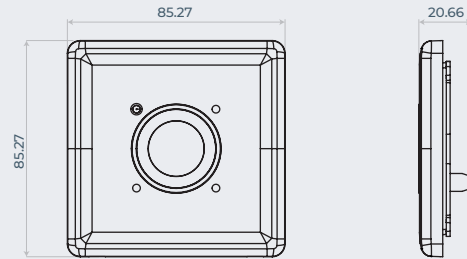
K+1	100%	0.19
K+2	100%	0.19
K+3	100%	0.22
K+4	100%	0.28
K+5	100%	0.33
K+6	100%	0.41
11		

Pressure Curve



Airstream ACE remote controller

85.27 x 85,27 x 20.66 [mm] (height x width x depth)



Product code

Airstream ACE H 125dia Spigot MEV Unit (EC Motor, Humidistat)	AS 92-ACE-H-125
Airstream ACE 125dia Spigot MEV Unit (EC Motor)	AS 92-ACE-125
Airstream ACE H 204x60 Spigot MEV Unit (EC Motor, Humidistat)	AS 92-ACE-H-204
Airstream ACE 204x60 Spigot MEV Unit (EC Motor)	AS 92-ACE-204
Airstream ACE H 75dia MEV Unit (EC Motor, Humidistat)	AS 92-ACE-H-75
Airstream ACE 75dia MEV Unit (EC Motor)	AS 92-ACE-75

Airstream Ace Acoustic Performance

1/3 Octave LW										Overall SWL (A-Weighted)
Fan Setting [%]		63 Hz	125 Hz	250 Hz	500 Hz	1 kHz	2 kHz	4 kHz	8 kHz	LWA dB @ 3m
20	Casing	31.3	38.3	23.1	21.3	12.9	10.4	13.1	16.5	13.1
	Extract	36.2	42.8	40.8	34.8	26.2	23.4	22.3	46.4	-
40	Casing	26.3	19.9	23.1	17.2	10.4	9.1	13.2	26.1	11.8
	Extract	29.8	36.1	39.1	32.9	25.7	23.3	19.5	42.8	-
60	Casing	32.8	44.0	40.1	41.3	29.1	27.4	25.9	20.6	26.8
	Extract	50.6	58.3	62.6	57.0	48.7	46.8	36.2	66.0	-
80	Casing	36.9	55.2	42.1	45.5	32.6	30.6	29.6	23.1	31.6
	Extract	57.7	61.3	65.3	66.8	56.2	54.2	44.8	71.4	-
100	Casing	39.7	45.5	44.3	49.4	36.2	34.4	34.4	27.6	35.9
	Extract	56.3	61.7	65.9	66.0	56.7	54.9	45.6	71.4	-