

Compact 2.

Cutting-edge technology for restricted spaces.



Quiet, stylish, and easy to install, Thermoscreens new **Compact 2** air curtains offer a cost-effective and highly efficient solution for applications where space is at a premium. Featuring the latest air curtain technology, they offer both outdoor temperature adjustment and full BMS integration.

Sizes (Width) (Joining kits available)

1m, 1.5m, 2m and 2.5m

Mounting Height

Surface mounted - up to 3m
(2.5m exposed locations)
Recessed units - up to 2.75m

Colour

Standard RAL 9016 (White)
RAL colour matching available

Warranty

2 years

Key features.



Water



Electric



Ambient



ErP compliant



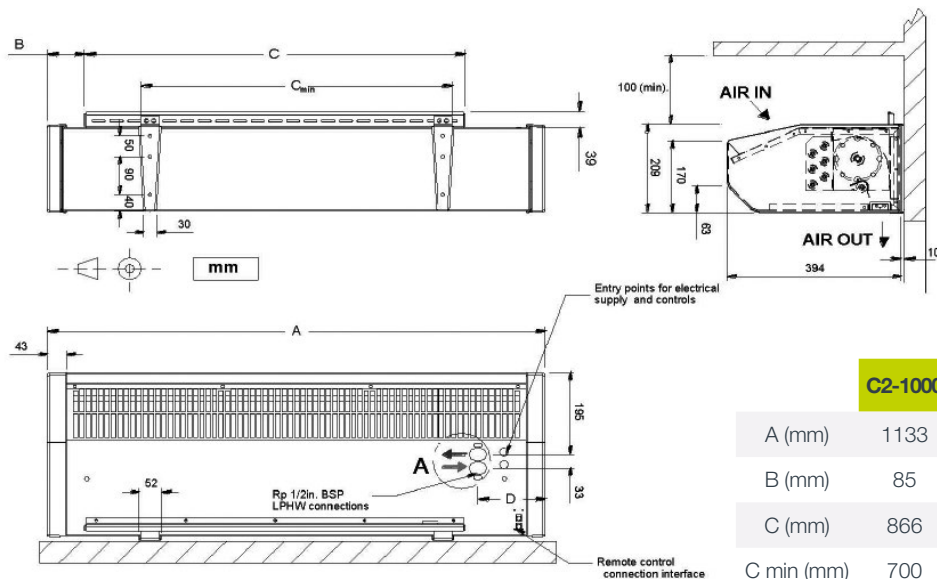
Custom Paint

- Stylish modern design with concealed air inlet grille
- Ambient, water heated or electric heated
- Surface or recessed mounting
- Remote operation - choice of two control units
- ErP compliant and BMS ready
- Enhanced technology fan decks reducing sound power output and tone
- Instant heat - rapid cool down, high-efficiency heating element (electric units)
- Hinged grilles and drop down access panel for easy installation and maintenance (recessed units)
- Supplied with quick hang wall brackets as standard
- Adjustable ceiling fixings with simple slide rail hanging system
- Ceiling fixings provided (excluding drop-rods)
- Joining kits available for connecting surface mounted units



Compact 2 | Surface Mounted

Model	Dimensions (L x W x D) (mm)	Supply (50Hz)	Loading (A) per phase	Heat output (kW)	Max velocity (m/s)	Max air volume (m ³ /h)	Weight (kg)	Noise output dB(A) @3m		
								H	M	L
Electric										
C2-1000E	1133x394x209	400V~3P&N	13.7	4.9/9	9.0	1250	19	50	48	46
C2-1500E	1665x394x209	400V~3P&N	18.3	6.5/12	9.0	1800	27	50	48	46
C2-2000E	2196x394x209	400V~3P&N	27.2	9.7/18	9.0	2500	39	51	49	47
C2-2500E	2682x394x209	400V~3P&N	32.0	11.3/21	9.0	3050	46	52	50	48
Water 82/71										
C2-1000W	1133x394x209	230V~1P&N	0.7	3/6	8.5	1180	21	50	48	46
C2-1500W	1665x394x209	230V~1P&N	0.9	4.5/9	8.5	1700	30	50	48	46
C2-2000W	2196x394x209	230V~1P&N	1.1	6/12	8.5	2360	42	51	49	47
C2-2500W	2682x394x209	230V~1P&N	1.6	7.5/15	8.5	2880	51	52	50	48
Ambient										
C2-1000A	1133x394x209	230V~1P&N	0.7		9.0	1250	19	50	48	46
C2-1500A	1665x394x209	230V~1P&N	0.9		9.0	1800	25	50	48	46
C2-2000A	2196x394x209	230V~1P&N	1.1		9.0	2500	37	51	49	47
C2-2500A	2682x394x209	230V~1P&N	1.6		9.0	3050	44	52	50	48



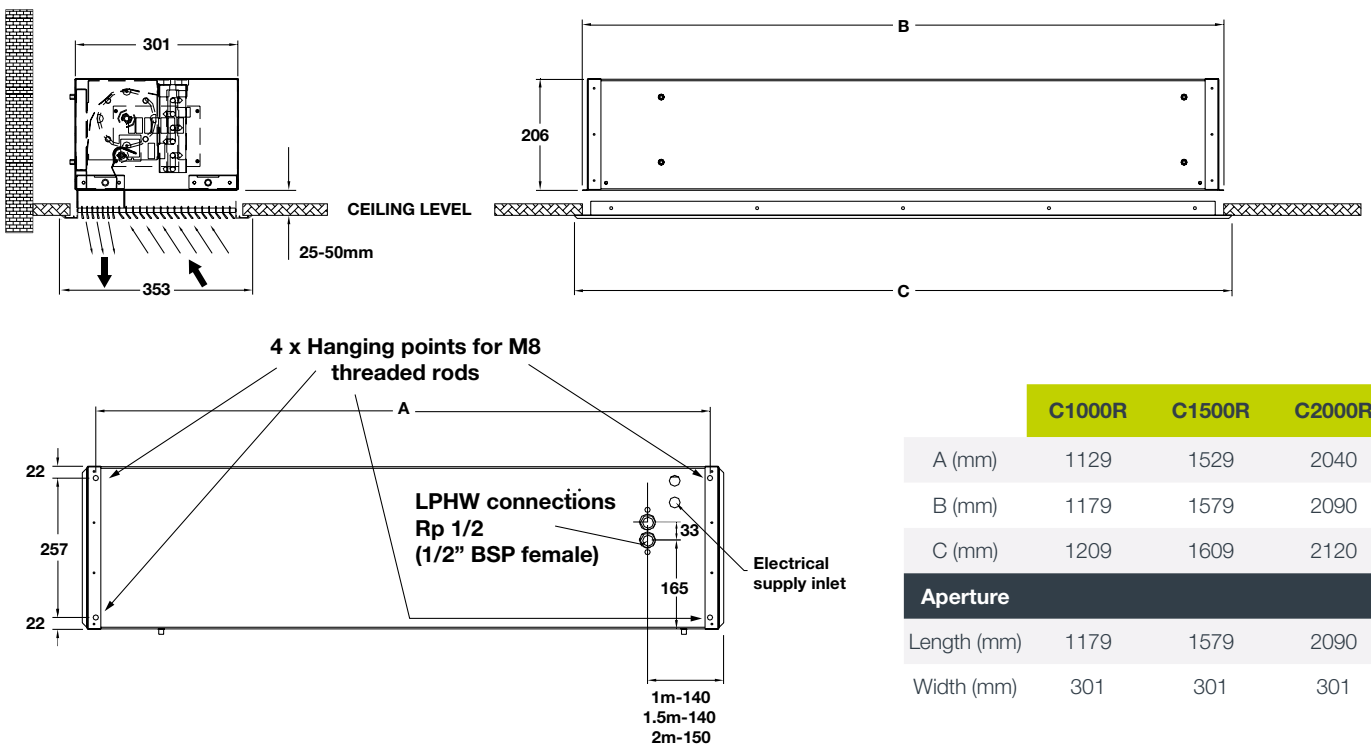
	C2-1000	C2-1500	C2-2000	C2-2500
A (mm)	1133	1665	2196	2682
B (mm)	85	89	89	85
C (mm)	866	1374	1875	2382
C min (mm)	700	1100	1500	1900
D (mm)	154	168	186	182

For ceiling mounted drawing, please see the instruction manual.



Compact 2 | Recessed

Model	Dimensions (L x W x D) (mm)	Standard grille size (mm)	Supply (50Hz)	Loading (A) per phase	Heat output (kW)	Max velocity (m/s)	Max air volume (m³/h)	Weight (kg)	Noise output dB(A) @3m		
									H	M	L
Electric											
C2-1000ER	1179x301x206	1209x353	400V~3P&N	13.7	4.5/9	9.0	1190	20	52	50	48
C2-1500ER	1579x301x206	1609x353	400V~3P&N	18.3	6/12	9.0	1730	27	52	50	48
C2-2000ER	2090x301x206	2120x353	400V~3P&N	27.2	9/18	9.0	2380	37	53	51	49
Water 82/71											
C2-1000WR	1179x301x206	1209x353	230V~1P&N	0.7	6	8.5	1120	22	52	50	48
C2-1500WR	1579x301x206	1609x353	230V~1P&N	0.9	9	8.5	1630	30	52	50	48
C2-2000WR	2090x301x206	2120x353	230V~1P&N	1.1	12	8.5	2240	41	53	51	49
Ambient											
C2-1000AR	1179x301x206	1209x353	230V~1P&N	0.7		9.0	1190	19	52	50	48
C2-1500AR	1579x301x206	1609x353	230V~1P&N	0.9		9.0	1730	25	52	50	48
C2-2000AR	2090x301x206	2120x353	230V~1P&N	1.1		9.0	2380	35	53	51	49



Water flow rate and pressure drop calculations for different water temperatures.

To calculate water flow rate and coil pressure drop, use our coil calculation programme. Then calculate the new water drop (valve) using the following formula:

$$\text{New Water Pressure Drop (valve)} = \text{82/71 Water Pressure Drop (valve)} \times \left(\frac{\text{New Water Flow Rate}}{\text{82/71 Water Flow Rate}} \right)^2$$

Example:

C2-1500W at 85/65°C, EAT = 20°C

82/71 Water flow rate = 11.7 l/min
(from water flow rate and pressure drop table below)

New water flow rate = 5.8 l/min
(from Thermoscreens coil calculation programme)

New water pressure drop (coil) = 2.2 kPa
(from Thermoscreens coil calculation programme)

Therefore:

New water pressure drop (valve) =

$$3.1 \times \left(\frac{5.8}{11.7} \right)^2 = 0.7 \text{ kPa}$$

Conversion factors:

1 kPa = 0.102m Water column
10 l per minute = 0.6 m³/h

Water flow rate and pressure drop.

Compact 2	1 row coil (based on 82/71°C)		
	Water flow rate (l/min)	Water pressure drop (coil) ΔP (kPa)	Water pressure drop (valve) ΔP (kPa)
C2-1000W/C2-1000WR	7.8	3.1	1.4
C2-1500W/C2-1500WR	11.7	7.9	3.1
C2-2000W/C2-2000WR	15.6	15.5	5.5
C2-2500W	19.5	21.2	8.6

A 3-port motorised control valve is supplied loose with water heated air curtains to be fitted into the site pipework during installation.

Accessories.

Description	Part no.
Master and slave lead: 3M + coupler	T5951110
10M Extension cable + coupler	T5951112
15M Extension cable + coupler	T5951113
30M Extension cable + coupler	T5951114
Extension lead coupler	T5951030
Joining kit	T7308225
Ecopower controller	T7263630

Thermoscreens

Your environment is our expertise.

Thermoscreens were one of the pioneers of modern air curtain technology, and we remain at the forefront of its evolution today. Our sales team work hand-in-hand with an international network of distributors, providing solutions to customers of all types and sizes, in more than 50 countries. Across the globe, our name is synonymous with the highest quality standards; our products renowned for their energy efficiency, reliability and ease of use.

