

Comfort Circle Cassette Heater (CC-60) – Fan Speed Adjustment

The Comfort Circle Cassette Heater is fitted with a control board that allows for easy adjustment of the fan speeds once the product is installed if the airflow is felt to be too low or excessive for the application. The fan motor is an EC type, controllable from 0V (fan off) to 10V (max speed), that is factory set at 4V (low), 5V (medium), 6V (high).

If you wish to change the fan speeds please follow the instructions:

1. Isolate mains power and make the product safe
2. Remove the two screws labelled as 1 in Fig. A
3. Pull out the electrics box, exposing the control PCB
4. Use the speed adjusters (blue dials) highlighted in Fig. B to adjust the appropriate fan speed

The fan control voltage can be measured between the Cont. and Gnd terminals (as shown below) but the unit will need to be powered up for this and the current speed (low, medium or high) is indicated by the red LED that is lit. The installer is responsible for ensuring this measurement is taken in a safe way. If this is not possible then it should not be undertaken and the 1-10 markings on the PCB should be used instead as a guide.

For technical performance data at non-factory set speeds, please contact the Biddle sales office.

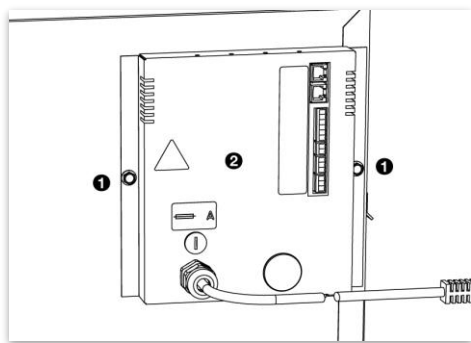


Figure A – Electrical panel on side of unit

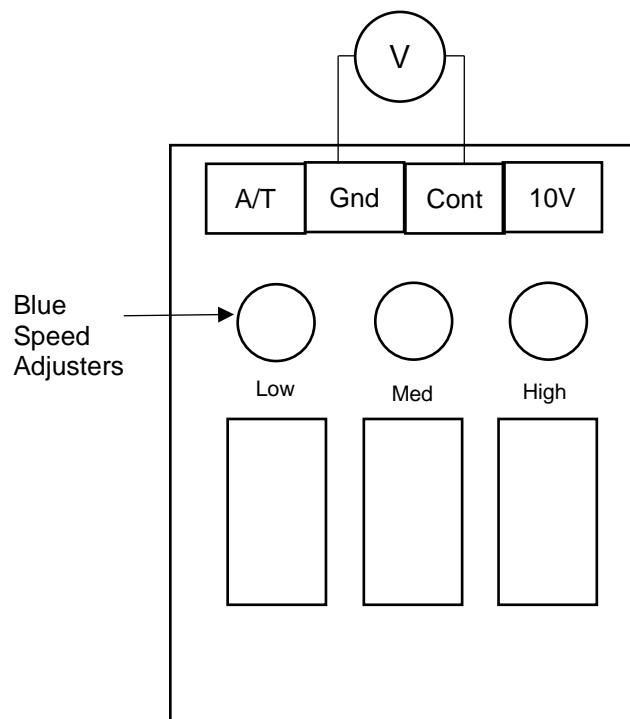


Figure B – Control PCB inside unit