

BRL VENTILATION LOUVRES

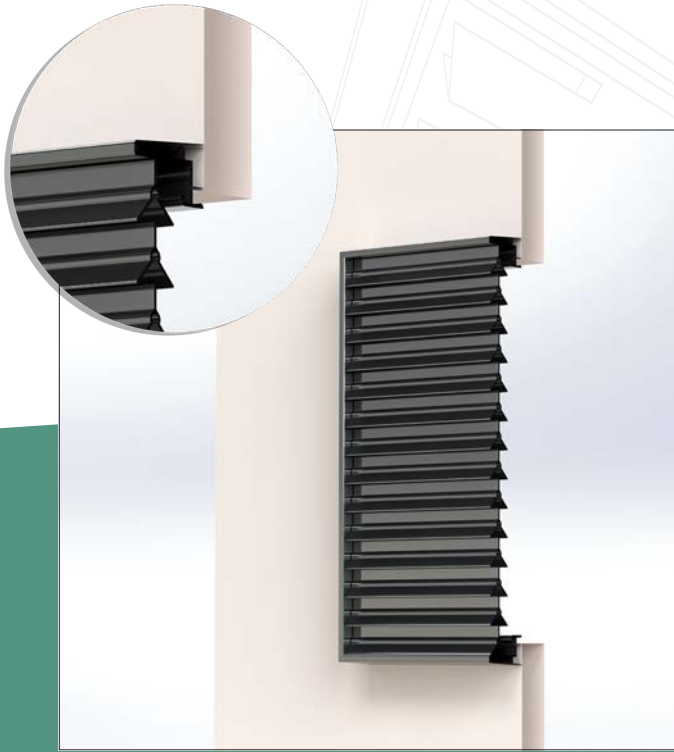
For Facades - Doors - Windows



Brook House, Dunmurry Industrial Estate, Dunmurry, Belfast, Co. Antrim, BT17 9HU
Tel: +44 (0)28 9061 6505 / Fax: +44 (0)28 9061 6518 / Email: hello@brookvent.co.uk

airlouvre 
BRL

Introduction



Surface mounted louvre



Flanged louvre



Glaze-in louvre

WHY LOUVRES?

The main reason for using louvres is permit the movement of air. Each project should be considered ensuring that the specified louvre provides all the desired performance criteria. Weather resistance louvres offer both good airflow & protection from water ingress.

WHO ARE WE?

Brookvent are leading UK manufactures of ventilation systems.

Whatever your ventilation need we look to have a solution. Our “Right Products, Best advice” mantra has helped our customers to provide the solutions that are demanded in the modern world.

Brookvent airlouvre systems principally use aluminium. This is the most sustainable building material as it is durable and strong and is also 100% recyclable.

Our manufacturing facilities in UK and mainland Europe produce products to the best EN and British standards. We are committed to reducing carbon footprint across our ranges and use sustainable sourcing and lean manufacturing methods to be environmentally friendly. Our ISO 4001 environmental accreditation is a testament to our commitment to protect the planet.

We are committed to quality. We understand that the biggest risks in the construction sector are delays caused by product availability or quality issues. We hold ISO 9001 accreditation and always put the needs of our customer first. We put our efforts into understanding your requirements and delivering high quality solutions, on time and within budget.

Whether you need the best selling 34Z with a nominal 50% free area or a more specialist louvre we have it within our range. We cover security options, insect grilles, weather resistance and high airflow ventilation solutions.

Across Brookvent, our people are both friendly and experts in the field. We welcome the chance to help you solve your ventilation challenges.

Remember our motto, Right products, best advice.

Do get in touch, we look forward to working with you.

Standard ventilation louvres

| Type of blade | Flanged louvres (FL) | Glazed-in louvres (GL) | Surface mounted louvres (SM) |
|---------------|----------------------|------------------------|------------------------------|
| 20 V | BRL20V-FL 06 | BRL20V-GL 04 | BRL20V-SM 05 |
| 34 V | BRL34V-FL 08 | BRL34V-GL 07 | |
| 34 Z | BRL34Z-FL 11 | BRL34Z-GL 09 | BRL34Z-SM 10 |
| 50 Z | BRL50Z-FL 19 | BRL50Z-GL 18 | |
| 60 Z | BRL60Z-FL 24 | BRL60Z-GL 23 | |
| 65 Z | BRL65Z-FL 27 | | |
| 75 Z | BRL75Z-FL 29 | | |

Ventilation louvres with increased flow area (HF)

| Type of blade | Flanged louvres (FL) | Glazed-in louvres (GL) | Surface mounted louvres (SM) |
|---------------|-----------------------|------------------------|------------------------------|
| 34 Z | BRL34Z-FL HF 14 | BRL34Z-GL HF 12 | BRL34Z-SM HF 13 |



Ventilation louvres with high (HWR) and increased water resistance (EWR)

| Type of blade | Flanged louvres (FL) | Glazed-in louvres (GL) | Surface mounted louvres (SM) |
|---------------|------------------------|------------------------|------------------------------|
| 34 Z | BRL34Z-FL EWR 17 | BRL34Z-GL EWR 15 | BRL34Z-SM EWR 16 |
| 50 Z | BRL50Z-FL HWR 20 | | |
| | BRL50Z-FL EWR 22 | BRL50Z-GL EWR 21 | |
| 60 Z | BRL60Z-FL EWR 26 | BRL60Z-GL EWR 25 | |
| 65 Z | BRL65Z-FL EWR 28 | | |
| 75 Z | BRL75Z-FL EWR 30 | | |



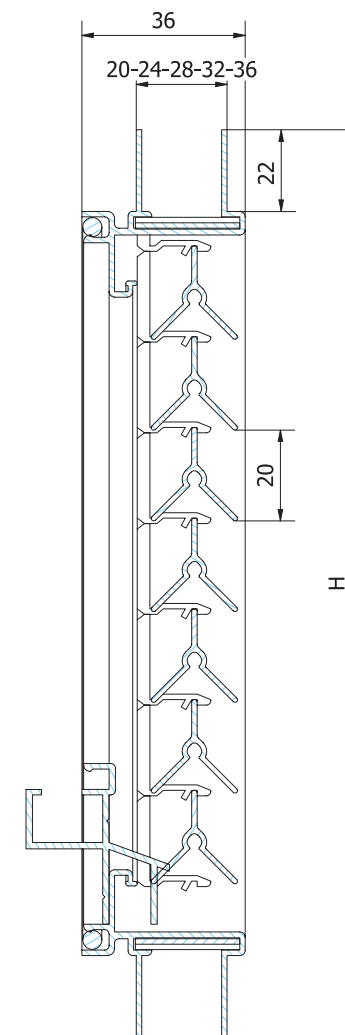
BRL20V-GL

Glazed-in louvre with 20 V-blade



| TECHNICAL DETAILS | |
|---|--|
| Profile | Extruded alu profiles EN AW-6060 T66 (AlMgSi0.5 F22) |
| Profile thickness | min. 1,1 mm |
| Height of the blade | 20 mm |
| Blade pitch | 20 mm |
| Rebate size | 22 mm |
| Glazing thickness | 20, 24, 28, 32 and 36 mm |
| Visual free area | 94% |
| Physical free area | 30% |
| Stainless steel mesh | RVS (AISI 304) with apertures 2.3 x 2.3 mm |
| Reinforcement | Louvres wider than 700 mm are provided with a reinforcement profile carrying additional blade supports to strengthen the wide louvre |
| INSTALLATION | |
| Fitting into glazing pocket using standard beads and packers. | |
| SHAPES | |
| Rectangular. square | |
| OPTIONS | |
| Insect mesh; water gutter. | |

| DIMENSIONS | |
|---|--|
| Min. dimension (height x width): 200 x 200 mm | |
| Max. dimension (height x width): 2000 x 4000 mm | |
| Other dimensions on request | |



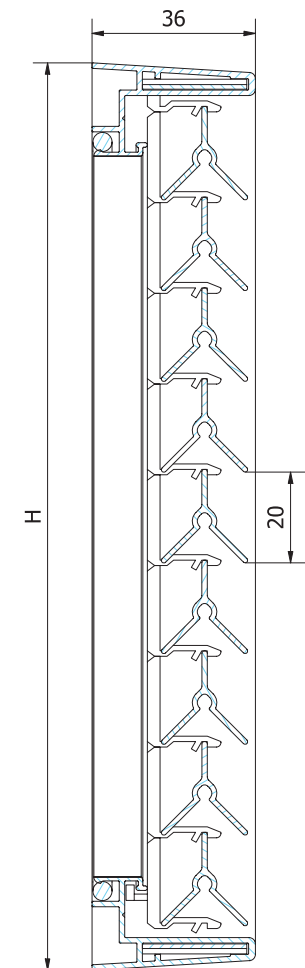
BRL20V-SM

Surface mounted louvre with 20 V-blade



| TECHNICAL DETAILS | |
|---|--|
| Profile | Extruded alu profiles EN AW-6060 T66 (AlMgSi0.5 F22) |
| Profile thickness | min. 1,1 mm |
| Height of the blade | 20 mm |
| Blade pith | 20 mm |
| Frame depth | 36 mm |
| Visual free area | 94% |
| Physical free area | 30% |
| Stainless steel mesh | RVS (AISI 304) with apertures 2.3 x 2.3 mm |
| Reinforcement | Louvres wider than 700 mm are provided with a reinforcement profile carrying additional blade supports to strengthen the wide louvre |
| INSTALLATION | |
| By means of screws and plugs (not included) | |
| SHAPES | |
| Rectangular. square | |
| OPTIONS | |
| Insect mesh; water gutter. | |

| DIMENSIONS |
|---|
| Min. dimension (height x width): 200 x 200 mm |
| Max. dimension (height x width): 2000 x 4000 mm |
| Other dimensions on request |



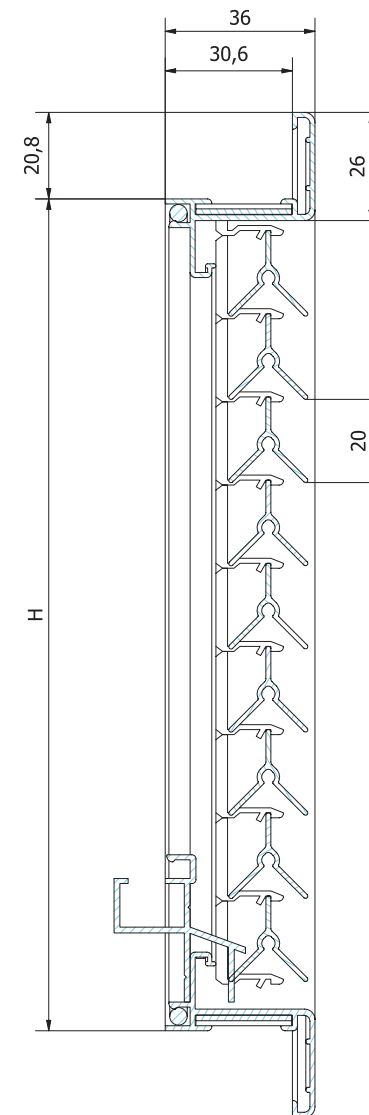
BRL20V-FL

Wall louvre with flange with 20 V-blade



| TECHNICAL DETAILS | |
|---------------------------------|--|
| Profile | Extruded alu profiles EN AW-6060 T66 (AlMgSi0.5 F22) |
| Profile thickness | min. 1.1 mm |
| Height of the blade | 20 mm |
| Blade pitch | 20 mm |
| Depth to fit | 30,6 mm |
| Flange depth | 20,8 mm |
| Visual free area | 94% |
| Physical free area | 30% |
| Stainless steel mesh | RVS (AISI 304) with apertures 2.3 x 2.3 mm |
| Reinforcement | Louvres wider than 700 mm are provided with a reinforcement profile carrying additional blade supports to strengthen the wide louvre |
| INSTALLATION | |
| Brackets (supplied as standard) | |
| SHAPES | |
| Rectangular. square | |
| OPTIONS | |
| Insect mesh; water gutter. | |

| DIMENSIONS | |
|---|--|
| Min. dimension (height x width): 200 x 200 mm | |
| Max. dimension (height x width): 2000 x 4000 mm | |
| Other dimensions on request | |



FL

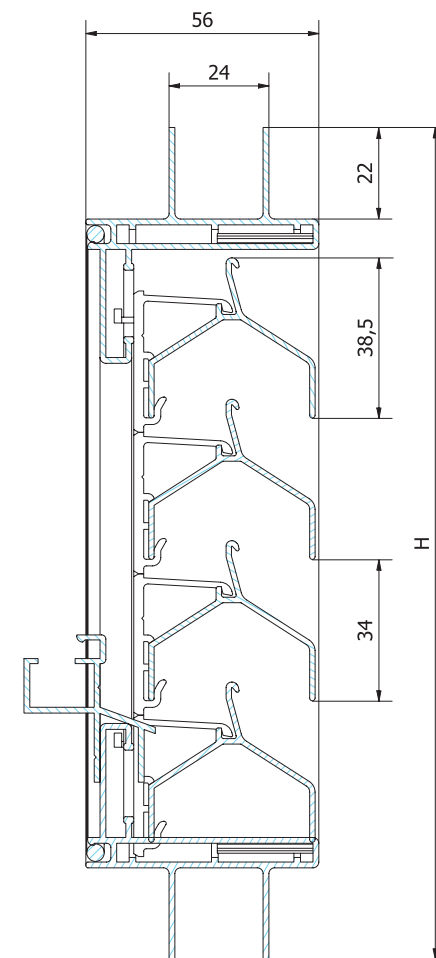
BRL34V-GL

Glazed-in louvre with 34 V-blade



| TECHNICAL DETAILS | |
|---|--|
| Profile | Extruded alu profiles EN AW-6060 T66 (AlMgSi0.5 F22) |
| Profile thickness | min. 1,3 mm |
| Glazing thickness | 38,5 mm |
| Height of the blade | 34 mm |
| Blade pitch | 22 mm |
| Rebate size | 24 mm |
| Visual free area | 60% |
| Physical free area | 50% |
| Stainless steel mesh | RVS (AISI 304) with apertures 2.3 x 2.3 mm |
| Reinforcement | Louvres wider than 700 mm are provided with a reinforcement profile carrying additional blade supports to strengthen the wide louvre |
| INSTALLATION | |
| Fitting into glazing pocket using standard beads and packers. | |
| SHAPES | |
| Rectangular. square | |
| OPTIONS | |
| Insect mesh; water gutter. | |

| DIMENSIONS | |
|---|--|
| Min. dimension (height x width): 200 x 200 mm | |
| Max. dimension (height x width): 2000 x 4000 mm | |
| Other dimensions on request | |



GL

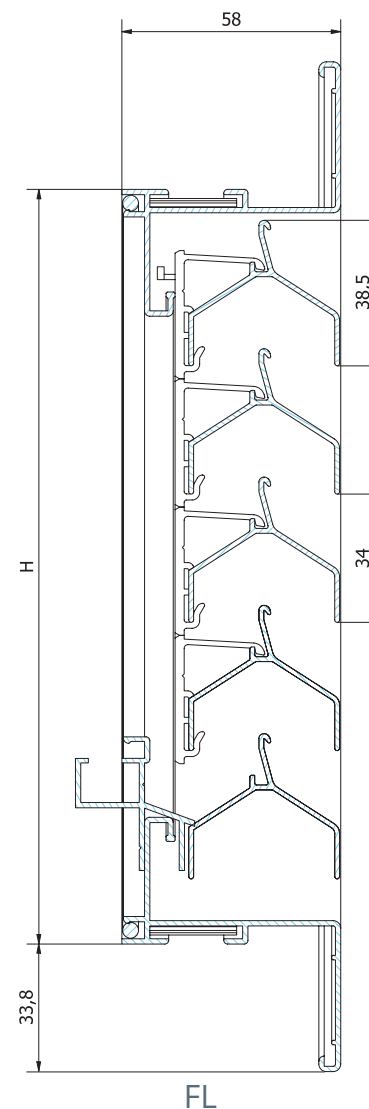
BRL34V-FL

Wall louvre with flange with 34 V-blade



| TECHNICAL DETAILS | |
|---------------------------------|--|
| Profile | Extruded alu profiles EN AW-6060 T66 (AlMgSi0.5 F22) |
| Profile thickness | min. 1,3 mm |
| Height of the blade | 38,5 mm |
| Blade pitch | 34 mm |
| Depth to fit | 52,2 mm |
| Flange depth | 33,8 mm |
| Visual free area | 60% |
| Physical free area | 50% |
| Stainless steel mesh | RVS (AISI 304) with apertures 2.3 x 2.3 mm |
| Reinforcement | Louvres wider than 700 mm are provided with a reinforcement profile carrying additional blade supports to strengthen the wide louvre |
| INSTALLATION | |
| Brackets (supplied as standard) | |
| SHAPES | |
| Rectangular. square | |
| OPTIONS | |
| Insect mesh; water gutter. | |

| DIMENSIONS | |
|---|--|
| Min. dimension (height x width): 200 x 200 mm | |
| Max. dimension (height x width): 2000 x 4000 mm | |
| Other dimensions on request | |



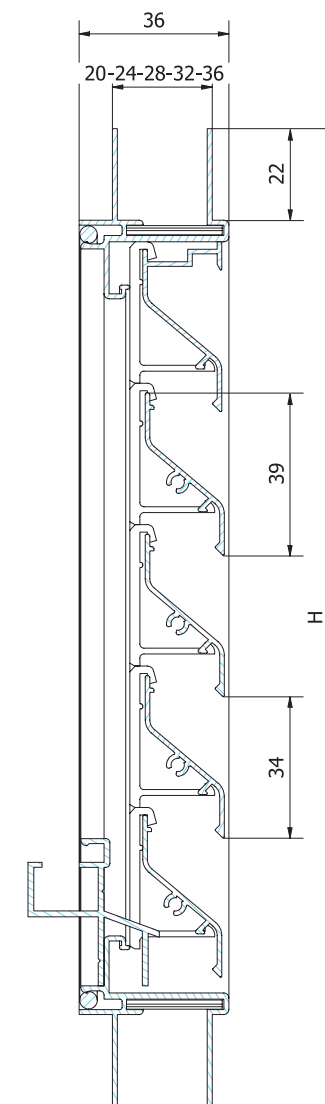
BRL34Z-GL

Glazed-in louvre with 34 Z-blade



| TECHNICAL DETAILS | |
|---|--|
| Profile | Extruded alu profiles EN AW-6060 T66 (AlMgSi0.5 F22) |
| Profile thickness | min. 1,1 mm |
| Height of the blade | 39 mm |
| Blade pitch | 34 mm |
| Rebate size | 22 mm |
| Glazing thickness | 20, 24, 28, 32 lub 36 mm |
| Visual free area | 68% |
| Physical free area | 35% |
| Stainless steel mesh | RVS (AISI 304) with apertures 2.3 x 2.3 mm |
| Reinforcement | Louvres wider than 700 mm are provided with a reinforcement profile carrying additional blade supports to strengthen the wide louvre |
| INSTALLATION | |
| Fitting into glazing pocket using standard beads and packers. | |
| SHAPES | |
| Rectangular. square | |
| OPTIONS | |
| Insect mesh; water gutter. | |

| DIMENSIONS | |
|---|--|
| Min. dimension (height x width): 200 x 200 mm | |
| Max. dimension (height x width): 2000 x 4000 mm | |
| Other dimensions on request | |



GL

BRL34Z-SM

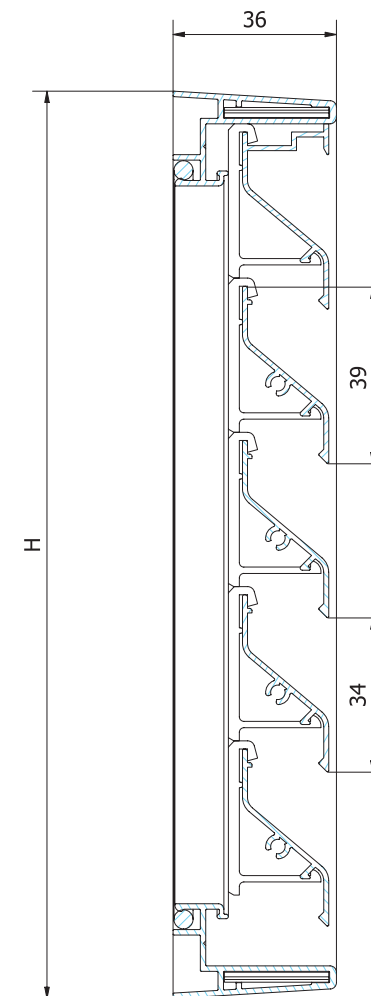
Surface mounted louvre with 34 Z-blade



| TECHNICAL DETAILS | |
|---|--|
| Profile | Extruded alu profiles EN AW-6060 T66 (AlMgSi0.5 F22) |
| Profile thickness | min. 1,1 mm |
| Height of the blade | 39 mm |
| Blade pitch | 34 mm |
| Frame depth | 36 mm |
| Visual free area | 68% |
| Physical free area | 35% |
| Stainless steel mesh | RVS (AISI 304) with apertures 2.3 x 2.3 mm |
| Reinforcement | Louvres wider than 700 mm are provided with a reinforcement profile carrying additional blade supports to strengthen the wide louvre |
| INSTALLATION | |
| By means of screws and plugs (not included) | |
| SHAPES | |
| Rectangular. square | |
| OPTIONS | |
| Insect mesh; water gutter, RC2. | |



| DIMENSIONS |
|---|
| Min. dimension (height x width): 200 x 200 mm |
| Max. dimension (height x width): 2000 x 4000 mm |
| Other dimensions on request |



SM

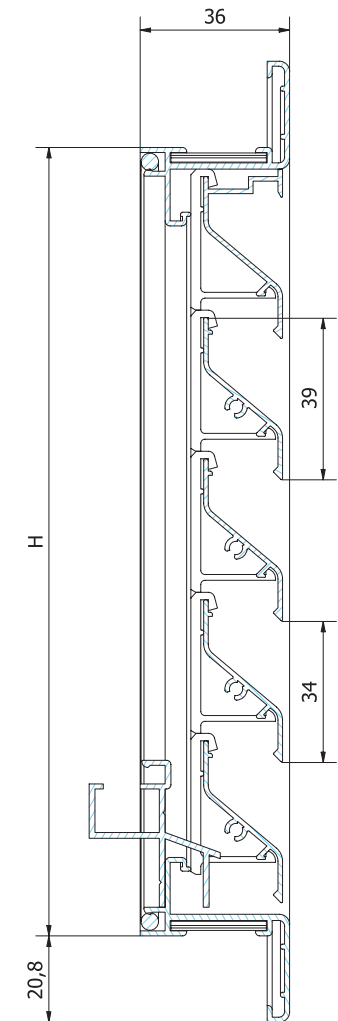
BRL34Z-FL

Wall louvre with flange with 34 Z-blade



| TECHNICAL DETAILS | |
|---------------------------------|--|
| Profile | Extruded alu profiles EN AW-6060 T66 (AlMgSi0.5 F22) |
| Profile thickness | min. 1,1 mm |
| Height of the blade | 39 mm |
| Blade pitch | 34 mm |
| Depth to fit | 30,6 mm |
| Flange depth | 20,8 mm |
| Visual free area | 68% |
| Physical free area | 35% |
| Stainless steel mesh | RVS (AISI 304) with apertures 2.3 x 2.3 mm |
| Reinforcement | Louvres wider than 700 mm are provided with a reinforcement profile carrying additional blade supports to strengthen the wide louvre |
| INSTALLATION | |
| Brackets (supplied as standard) | |
| SHAPES | |
| Rectangular. square | |
| OPTIONS | |
| Insect mesh; water gutter. | |

| DIMENSIONS |
|---|
| Min. dimension (height x width): 200 x 200 mm |
| Max. dimension (height x width): 2000 x 4000 mm |
| Other dimensions on request |



FL

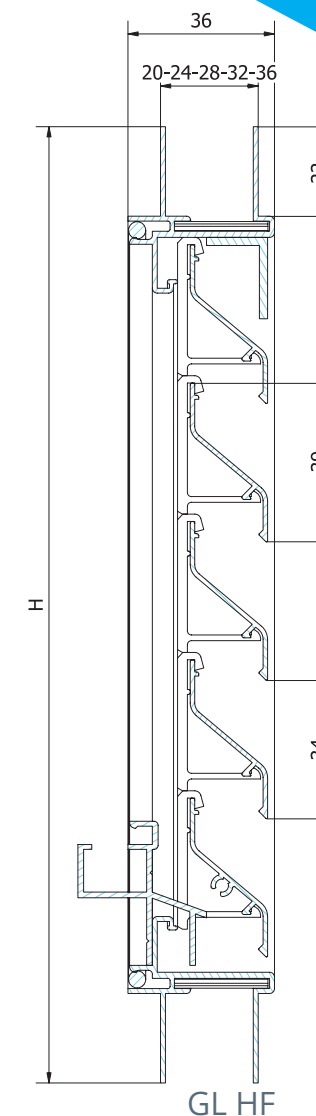
BRL34Z-GL HF

Glazed-in louvre with 34 Z-blade



| TECHNICAL DETAILS | |
|---|--|
| Profile | Extruded alu profiles EN AW-6060 T66 (AlMgSi0.5 F22) |
| Profile thickness | min. 1,1 mm |
| Height of the blade | 39 mm |
| Blade pitch | 34 mm |
| Rebate size | 22 mm |
| Glazing thickness | 20, 24, 28, 32 lub 36 mm |
| Visual free area | 68% |
| Physical free area | 48% |
| Stainless steel mesh | RVS (AISI 304) with apertures 2.3 x 2.3 mm |
| Reinforcement | Louvres wider than 700 mm are provided with a reinforcement profile carrying additional blade supports to strengthen the wide louvre |
| INSTALLATION | |
| Fitting into glazing pocket using standard beads and packers. | |
| SHAPES | |
| Rectangular. square | |
| OPTIONS | |
| Insect mesh; water gutter. | |

| DIMENSIONS | |
|---|--|
| Min. dimension (height x width): 200 x 200 mm | |
| Max. dimension (height x width): 2000 x 4000 mm | |
| Other dimensions on request | |



BRL34Z-SM HF

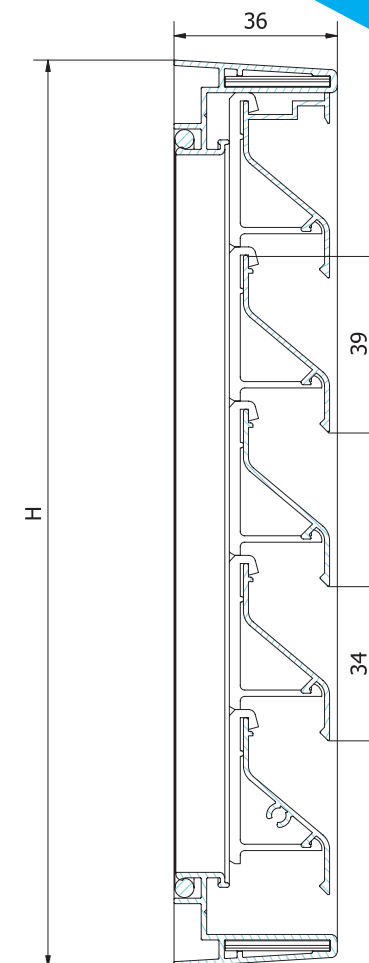
Surface mounted louvre with 34 Z-blade



| TECHNICAL DETAILS | |
|---|--|
| Profile | Extruded alu profiles EN AW-6060 T66 (AlMgSi0.5 F22) |
| Profile thickness | min. 1,1 mm |
| Height of the blade | 39 mm |
| Blade pitch | 34 mm |
| Frame depth | 36 mm |
| Visual free area | 68% |
| Physical free area | 48% |
| Stainless steel mesh | RVS (AISI 304) with apertures 2.3 x 2.3 mm |
| Reinforcement | Louvres wider than 700 mm are provided with a reinforcement profile carrying additional blade supports to strengthen the wide louvre |
| INSTALLATION | |
| By means of screws and plugs (not included) | |
| SHAPES | |
| Rectangular. square | |
| OPTIONS | |
| Insect mesh; water gutter, RC2. | |



| DIMENSIONS | |
|---|--|
| Min. dimension (height x width): 200 x 200 mm | |
| Max. dimension (height x width): 2000 x 4000 mm | |
| Other dimensions on request | |



SM HF

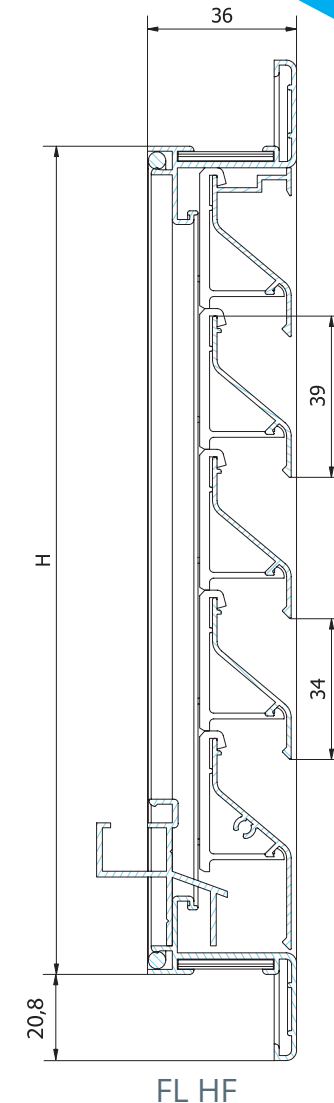
BRL34Z-FL HF

Wall louvre with flange with 34 Z-blade



| TECHNICAL DETAILS | |
|---------------------------------|--|
| Profile | Extruded alu profiles EN AW-6060 T66 (AlMgSi0.5 F22) |
| Profile thickness | min. 1,1 mm |
| Height of the blade | 39 mm |
| Blade pitch | 34 mm |
| Depth to fit | 30,6 mm |
| Flange depth | 20,8 mm |
| Visual free area | 68% |
| Physical free area | 48% |
| Stainless steel mesh | RVS (AISI 304) with apertures 2.3 x 2.3 mm |
| Reinforcement | Louvres wider than 700 mm are provided with a reinforcement profile carrying additional blade supports to strengthen the wide louvre |
| INSTALLATION | |
| Brackets (supplied as standard) | |
| SHAPES | |
| Rectangular. square | |
| OPTIONS | |
| Insect mesh; water gutter. | |

| DIMENSIONS | |
|---|--|
| Min. dimension (height x width): 200 x 200 mm | |
| Max. dimension (height x width): 2000 x 4000 mm | |
| Other dimensions on request | |





**WATER
RESISTANT**

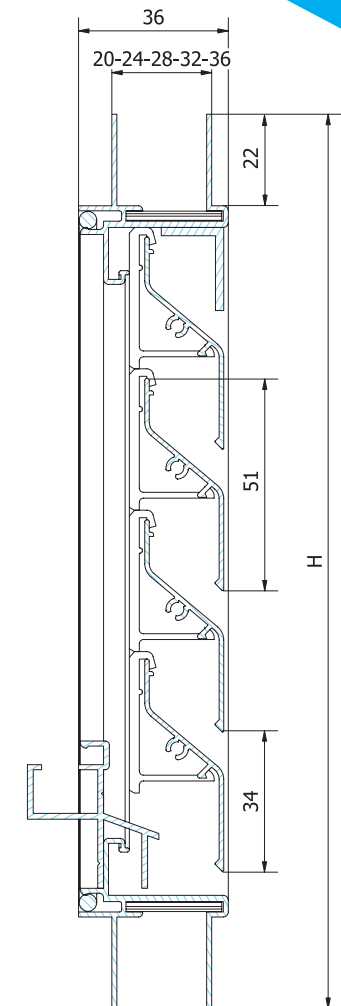
BRL34Z-GL EWR

Glazed-in louvre with 34 Z-blade



| TECHNICAL DETAILS | |
|---|--|
| Profile | Extruded alu profiles EN AW-6060 T66 (AlMgSi0.5 F22) |
| Profile thickness | min. 1,1 mm |
| Height of the blade | 51 mm |
| Blade pitch | 34 mm |
| Rebate size | 22 mm |
| Glazing thickness | 20, 24, 28, 32 lub 36 mm |
| Visual free area | 29% |
| Physical free area | 21% |
| Stainless steel mesh | RVS (AISI 304) with apertures 2.3 x 2.3 mm |
| Reinforcement | Louvres wider than 700 mm are provided with a reinforcement profile carrying additional blade supports to strengthen the wide louvre |
| INSTALLATION | |
| Fitting into glazing pocket using standard beads and packers. | |
| SHAPES | |
| Rectangular. square | |
| OPTIONS | |
| Insect mesh; water gutter. | |

| DIMENSIONS |
|---|
| Min. dimension (height x width): 200 x 200 mm |
| Max. dimension (height x width): 2000 x 4000 mm |
| Other dimensions on request |



GL EWR



**WATER
RESISTANT**

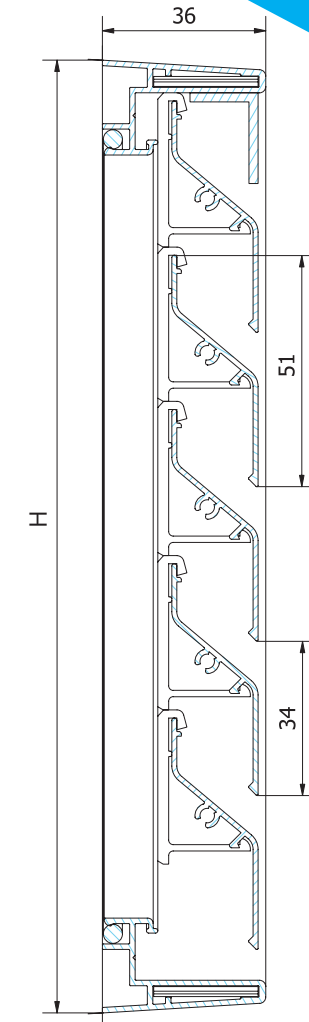
BRL34Z-SM EWR

Surface mounted louvre with 34 Z-blade



| TECHNICAL DETAILS | |
|---|--|
| Profile | Extruded alu profiles EN AW-6060 T66 (AlMgSi0.5 F22) |
| Profile thickness | min. 1,1 mm |
| Height of the blade | 51 mm |
| Blade pitch | 34 mm |
| Frame depth | 36 mm |
| Visual free area | 29% |
| Physical free area | 21% |
| Stainless steel mesh | RVS (AISI 304) with apertures 2.3 x 2.3 mm |
| Reinforcement | Louvres wider than 700 mm are provided with a reinforcement profile carrying additional blade supports to strengthen the wide louvre |
| INSTALLATION | |
| By means of screws and plugs (not included) | |
| SHAPES | |
| Rectangular. square | |
| OPTIONS | |
| Insect mesh; water gutter. | |

| DIMENSIONS |
|---|
| Min. dimension (height x width): 200 x 200 mm |
| Max. dimension (height x width): 2000 x 4000 mm |
| Other dimensions on request |



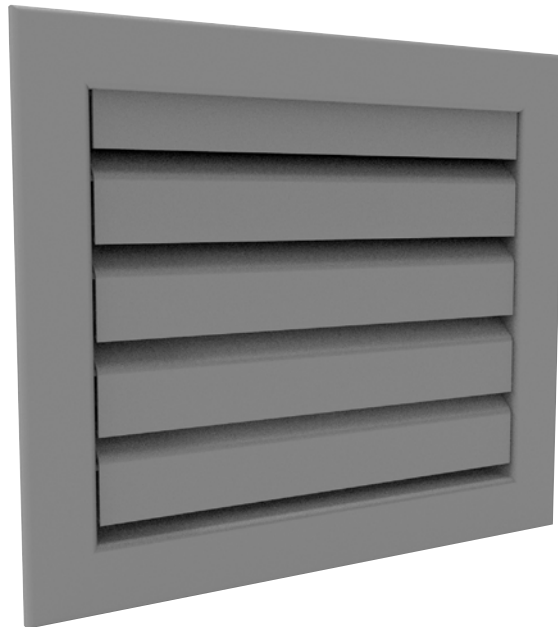
SM EWR



**WATER
RESISTANT**

BRL34Z-FL EWR

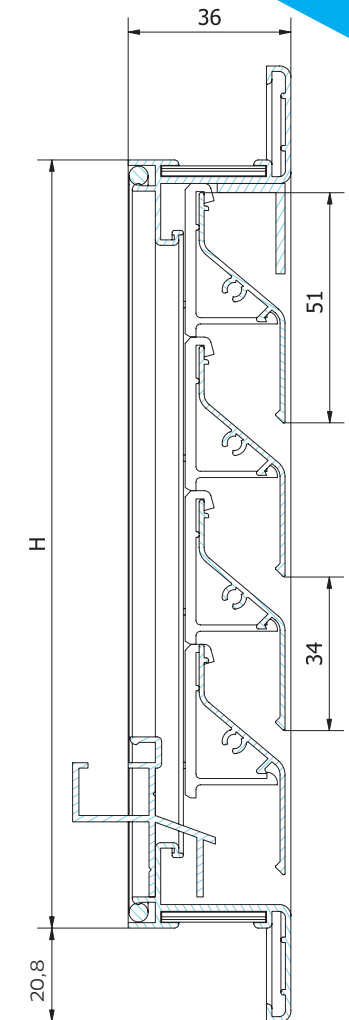
Wall louvre with flange with 34 Z-blade



| TECHNICAL DETAILS | |
|---------------------------------|--|
| Profile | Extruded alu profiles EN AW-6060 T66 (AlMgSi0.5 F22) |
| Profile thickness | min. 1,1 mm |
| Height of the blade | 51 mm |
| Blade pitch | 34 mm |
| Depth to fit | 30,6 mm |
| Flange depth | 20,8 mm |
| Visual free area | 29% |
| Physical free area | 21% |
| Stainless steel mesh | RVS (AISI 304) with apertures 2.3 x 2.3 mm |
| Reinforcement | Louvres wider than 700 mm are provided with a reinforcement profile carrying additional blade supports to strengthen the wide louvre |
| INSTALLATION | |
| Brackets (supplied as standard) | |
| SHAPES | |
| Rectangular. square | |
| OPTIONS | |
| Insect mesh; water gutter. | |

DIMENSIONS

| |
|---|
| Min. dimension (height x width): 200 x 200 mm |
| Max. dimension (height x width): 2000 x 4000 mm |
| Other dimensions on request |



FL EWR

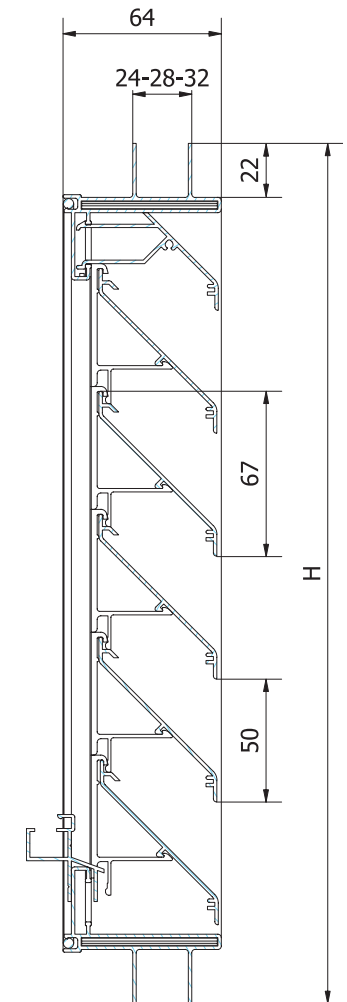
BRL50Z-GL

Glazed-in louvre with 50 Z-blade



| TECHNICAL DETAILS | |
|---|--|
| Profile | Extruded alu profiles EN AW-6060 T66 (AlMgSi0.5 F22) |
| Profile thickness | min. 1,4 mm |
| Height of the blade | 67 mm |
| Blade pitch | 50 mm |
| Rebate size | 22 mm |
| Glazing thickness | 24, 28 lub 32 mm |
| Visual free area | 78% |
| Physical free area | 48% |
| Stainless steel mesh | RVS (AISI 304) with apertures 2.3 x 2.3 mm |
| Reinforcement | Louvres wider than 700 mm are provided with a reinforcement profile carrying additional blade supports to strengthen the wide louvre |
| INSTALLATION | |
| Fitting into glazing pocket using standard beads and packers. | |
| SHAPES | |
| Rectangular. square | |
| OPTIONS | |
| Insect mesh; water gutter. | |

| DIMENSIONS |
|---|
| Min. dimension (height x width): 200 x 200 mm |
| Max. dimension (height x width): 2000 x 4000 mm |
| Other dimensions on request |



GL

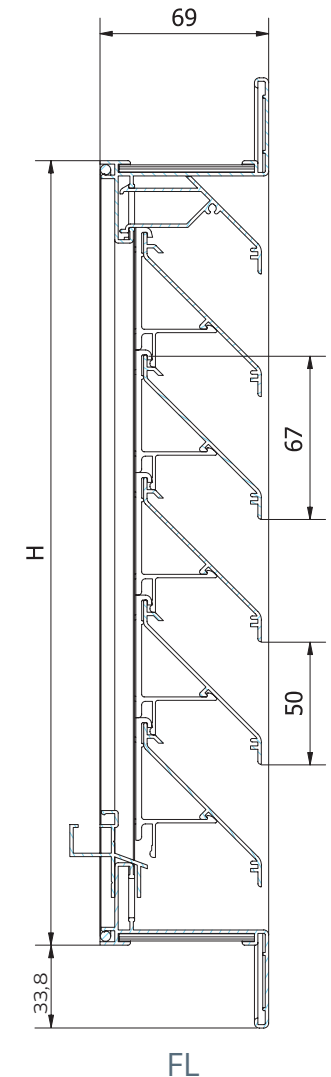
BRL50Z-FL

Wall louvre with flange with 50 Z-blade



| TECHNICAL DETAILS | |
|---------------------------------|--|
| Profile | Extruded alu profiles EN AW-6060 T66 (AlMgSi0.5 F22) |
| Profile thickness | min. 1,4 mm |
| Height of the blade | 67 mm |
| Blade pitch | 50 mm |
| Depth to fit | 63 mm |
| Flange depth | 33,8 mm |
| Visual free area | 78% |
| Physical free area | 48% |
| Stainless steel mesh | RVS (AISI 304) with apertures 2.3 x 2.3 mm |
| Reinforcement | Louvres wider than 700 mm are provided with a reinforcement profile carrying additional blade supports to strengthen the wide louvre |
| INSTALLATION | |
| Brackets (supplied as standard) | |
| SHAPES | |
| Rectangular. square | |
| OPTIONS | |
| Insect mesh; water gutter. | |

| DIMENSIONS |
|---|
| Min. dimension (height x width): 200 x 200 mm |
| Max. dimension (height x width): 2000 x 4000 mm |
| Other dimensions on request |



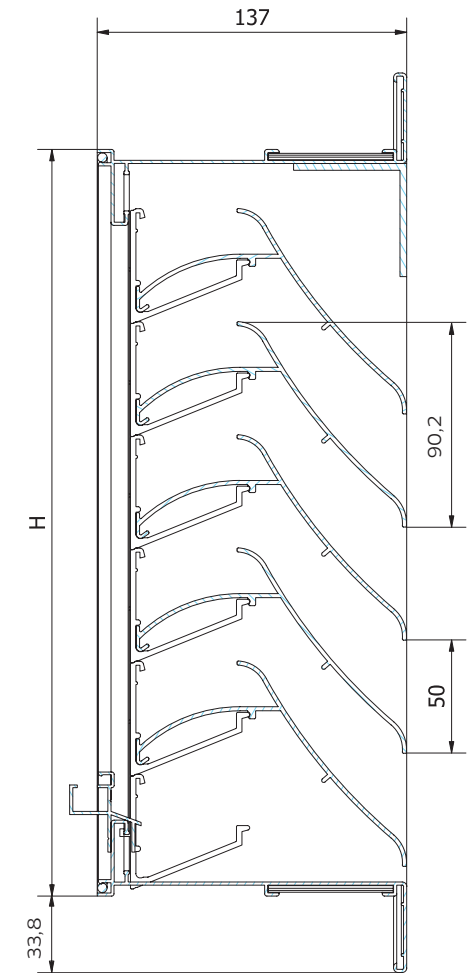
BRL50Z-FL HWR

Wall louvre with flange with 50 Z-blade



| TECHNICAL DETAILS | |
|---------------------------------|--|
| Profile | Extruded alu profiles EN AW-6060 T66 (AlMgSi0.5 F22) |
| Profile thickness | min. 1,4 mm |
| Height of the blade | 90,2 mm |
| Blade pitch | 50 mm |
| Depth to fit | 137 mm |
| Flange depth | 33,8 mm |
| Visual free area | 58% |
| Physical free area | 84% |
| Stainless steel mesh | RVS (AISI 304) with apertures 2.3 x 2.3 mm |
| Reinforcement | Louvres wider than 700 mm are provided with a reinforcement profile carrying additional blade supports to strengthen the wide louvre |
| INSTALLATION | |
| Brackets (supplied as standard) | |
| SHAPES | |
| Rectangular. square | |
| OPTIONS | |
| Insect mesh; water gutter. | |

| DIMENSIONS | |
|---|--|
| Min. dimension (height x width): 230 x 200 mm | |
| Max. dimension (height x width): 3030 x 4000 mm | |
| Other dimensions on request | |



FL HWR



**WATER
RESISTANT**

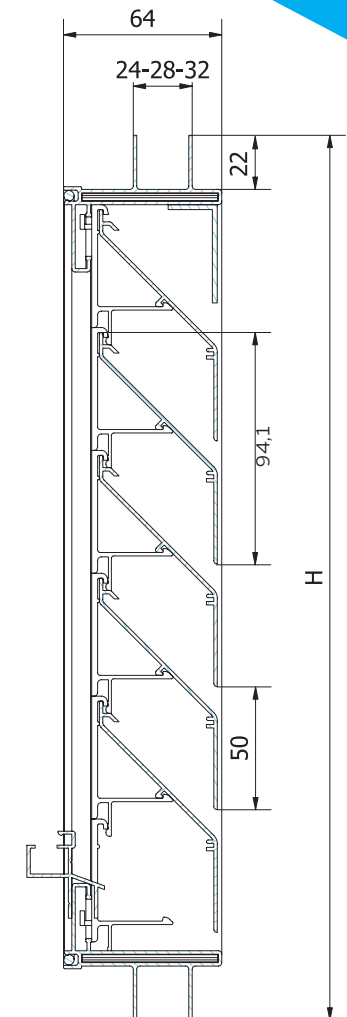
BRL50Z-GL EWR

Glazed-in louvre with flange with 50 Z-blade



| TECHNICAL DETAILS | |
|---|--|
| Profile | Extruded alu profiles EN AW-6060 T66 (AlMgSi0.5 F22) |
| Profile thickness | min. 1,4 mm |
| Height of the blade | 94,1 mm |
| Blade pitch | 50 mm |
| Rebate size | 22 mm |
| Glazing thickness | 24, 28 lub 32 mm |
| Visual free area | 24% |
| Physical free area | 16% |
| Stainless steel mesh | RVS (AISI 304) with apertures 2.3 x 2.3 mm |
| Reinforcement | Louvres wider than 700 mm are provided with a reinforcement profile carrying additional blade supports to strengthen the wide louvre |
| INSTALLATION | |
| Fitting into glazing pocket using standard beads and packers. | |
| SHAPES | |
| Rectangular. square | |
| OPTIONS | |
| Insect mesh; water gutter. | |

| DIMENSIONS |
|---|
| Min. dimension (height x width): 200 x 200 mm |
| Max. dimension (height x width): 2000 x 4000 mm |
| Other dimensions on request |



GL EWR



**WATER
RESISTANT**

BRL50Z-FL EWR

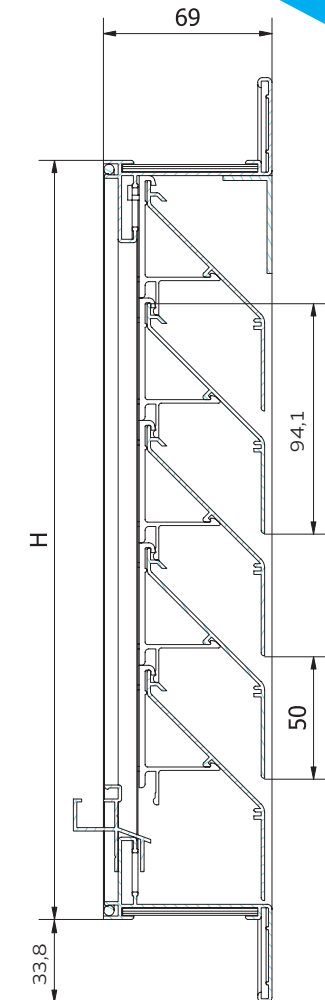
Wall louvre with flange with 50 Z-blade



| TECHNICAL DETAILS | |
|---------------------------------|--|
| Profile | Extruded alu profiles EN AW-6060 T66 (AlMgSi0.5 F22) |
| Profile thickness | min. 1,4 mm |
| Height of the blade | 94,1 mm |
| Blade pitch | 50 mm |
| Depth to fit | 63 mm |
| Flange depth | 33,8 mm |
| Visual free area | 24% |
| Physical free area | 16% |
| Stainless steel mesh | RVS (AISI 304) with apertures 2.3 x 2.3 mm |
| Reinforcement | Louvres wider than 700 mm are provided with a reinforcement profile carrying additional blade supports to strengthen the wide louvre |
| INSTALLATION | |
| Brackets (supplied as standard) | |
| SHAPES | |
| Rectangular. square | |
| OPTIONS | |
| Insect mesh; water gutter. | |

DIMENSIONS

| |
|---|
| Min. dimension (height x width): 200 x 200 mm |
| Max. dimension (height x width): 2000 x 4000 mm |
| Other dimensions on request |



FL EWR



**WATER
RESISTANT**

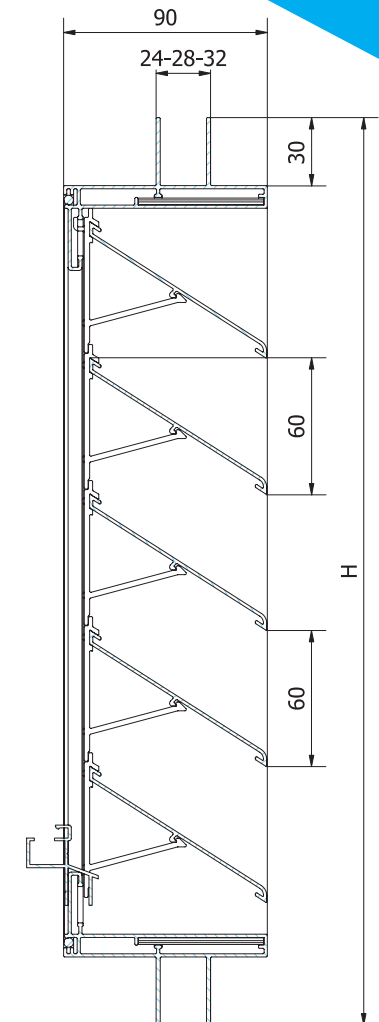
BRL60Z-GL

Glazed-in louvre with 60 Z-blade



| TECHNICAL DETAILS | |
|---|--|
| Profile | Extruded alu profiles EN AW-6060 T66 (AlMgSi0.5 F22) |
| Profile thickness | min. 1,4 mm |
| Height of the blade | 60 mm |
| Blade pitch | 60 mm |
| Rebate size | 30 mm |
| Glazing thickness | 24, 28 or 32 mm |
| Visual free area | 90% |
| Physical free area | 76% |
| Stainless steel mesh | RVS (AISI 304) with apertures 2.3 x 2.3 mm |
| Reinforcement | Louvres wider than 700 mm are provided with a reinforcement profile carrying additional blade supports to strengthen the wide louvre |
| INSTALLATION | |
| Fitting into glazing pocket using standard beads and packers. | |
| SHAPES | |
| Rectangular. square | |
| OPTIONS | |
| Insect mesh; water gutter. | |

| DIMENSIONS |
|---|
| Min. dimension (height x width): 200 x 200 mm |
| Max. dimension (height x width): 2000 x 4000 mm |
| Other dimensions on request |



GL

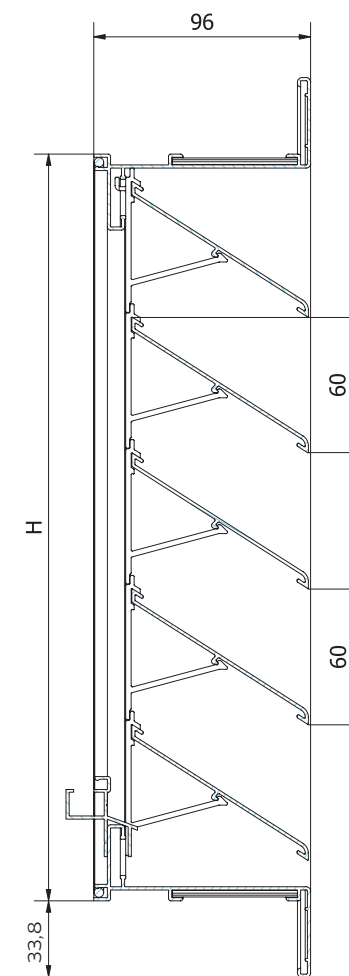
BRL60Z-FL

Wall louvre with flange with 60 Z-blade



| TECHNICAL DETAILS | |
|---------------------------------|--|
| Profile | Extruded alu profiles EN AW-6060 T66 (AlMgSi0.5 F22) |
| Profile thickness | min. 1,4 mm |
| Height of the blade | 60 mm |
| Blade pitch | 60 mm |
| Depth to fit | 89,8 mm |
| Flange depth | 33,8 mm |
| Visual free area | 90% |
| Physical free area | 76% |
| Stainless steel mesh | RVS (AISI 304) with apertures 2.3 x 2.3 mm |
| Reinforcement | Louvres wider than 700 mm are provided with a reinforcement profile carrying additional blade supports to strengthen the wide louvre |
| INSTALLATION | |
| Brackets (supplied as standard) | |
| SHAPES | |
| Rectangular. square | |
| OPTIONS | |
| Insect mesh; water gutter. | |

| DIMENSIONS |
|---|
| Min. dimension (height x width): 200 x 200 mm |
| Max. dimension (height x width): 2000 x 4000 mm |
| Other dimensions on request |



FL



**WATER
RESISTANT**

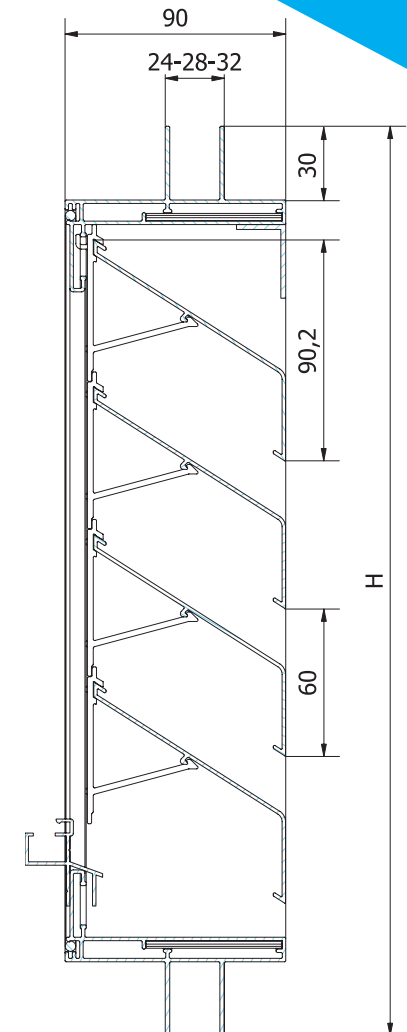
BRL60Z-GL EWR

Glazed-in louvre with flange with 60 Z-blade



| TECHNICAL DETAILS | |
|---|--|
| Profile | Extruded alu profiles EN AW-6060 T66 (AlMgSi0.5 F22) |
| Profile thickness | min. 1,4 mm |
| Height of the blade | 90,2 mm |
| Blade pitch | 60 mm |
| Rebate size | 30 mm |
| Glazing thickness | 24, 28 lub 32 mm |
| Visual free area | 40% |
| Physical free area | 33% |
| Stainless steel mesh | RVS (AISI 304) with apertures 2.3 x 2.3 mm |
| Reinforcement | Louvres wider than 700 mm are provided with a reinforcement profile carrying additional blade supports to strengthen the wide louvre |
| INSTALLATION | |
| Fitting into glazing pocket using standard beads and packers. | |
| SHAPES | |
| Rectangular. square | |
| OPTIONS | |
| Insect mesh; water gutter. | |

| DIMENSIONS | |
|---|--|
| Min. dimension (height x width): 200 x 200 mm | |
| Max. dimension (height x width): 2000 x 4000 mm | |
| Other dimensions on request | |



GL EWR



**WATER
RESISTANT**

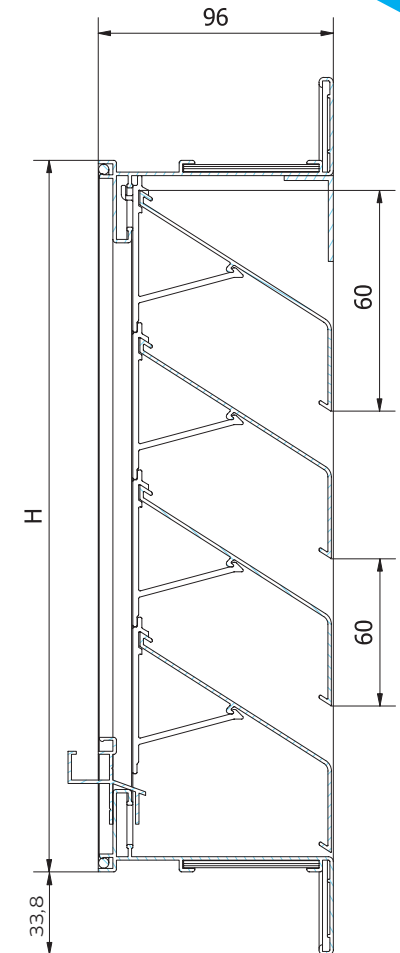
BRL60Z-FL EWR

Wall louvre with flange with 60 Z-blade



| TECHNICAL DETAILS | |
|---------------------------------|--|
| Profile | Extruded alu profiles EN AW-6060 T66 (AlMgSi0.5 F22) |
| Profile thickness | min. 1,4 mm |
| Height of the blade | 60 mm |
| Blade pitch | 60 mm |
| Depth to fit | 89,8 mm |
| Flange depth | 33,8 mm |
| Visual free area | 40% |
| Physical free area | 33% |
| Stainless steel mesh | RVS (AISI 304) with apertures 2.3 x 2.3 mm |
| Reinforcement | Louvres wider than 700 mm are provided with a reinforcement profile carrying additional blade supports to strengthen the wide louvre |
| INSTALLATION | |
| Brackets (supplied as standard) | |
| SHAPES | |
| Rectangular. square | |
| OPTIONS | |
| Insect mesh; water gutter. | |

| DIMENSIONS | |
|---|--|
| Min. dimension (height x width): 200 x 200 mm | |
| Max. dimension (height x width): 2000 x 4000 mm | |
| Other dimensions on request | |



FL EWR

BRL65Z-FL

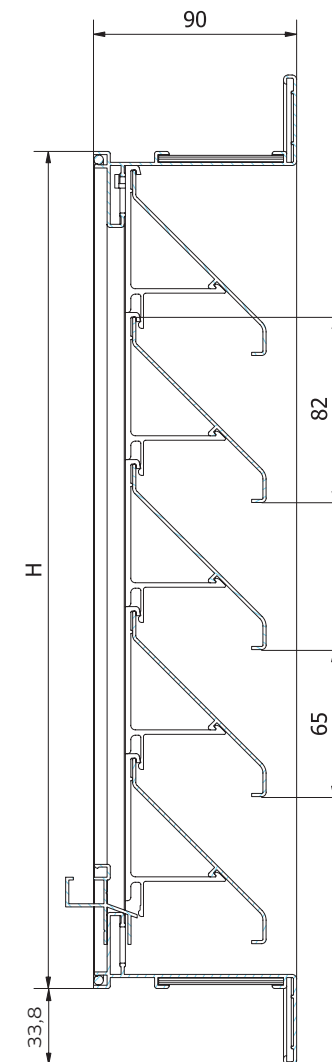
Wall louvre with flange with 65 Z-blade



| TECHNICAL DETAILS | |
|---------------------------------|--|
| Profile | Extruded alu profiles EN AW-6060 T66 (AlMgSi0.5 F22) |
| Profile thickness | min. 1,4 mm |
| Height of the blade | 82 mm |
| Blade pitch | 65 mm |
| Depth to fit | 84 mm |
| Flange depth | 33,8 mm |
| Visual free area | 78% |
| Physical free area | 53% |
| Stainless steel mesh | RVS (AISI 304) with apertures 2.3 x 2.3 mm |
| Reinforcement | Louvres wider than 700 mm are provided with a reinforcement profile carrying additional blade supports to strengthen the wide louvre |
| INSTALLATION | |
| Brackets (supplied as standard) | |
| SHAPES | |
| Rectangular. square | |
| OPTIONS | |
| Insect mesh; water gutter. | |

DIMENSIONS

| |
|---|
| Min. dimension (height x width): 200 x 200 mm |
| Max. dimension (height x width): 2000 x 4000 mm |
| Other dimensions on request |



FL



**WATER
RESISTANT**

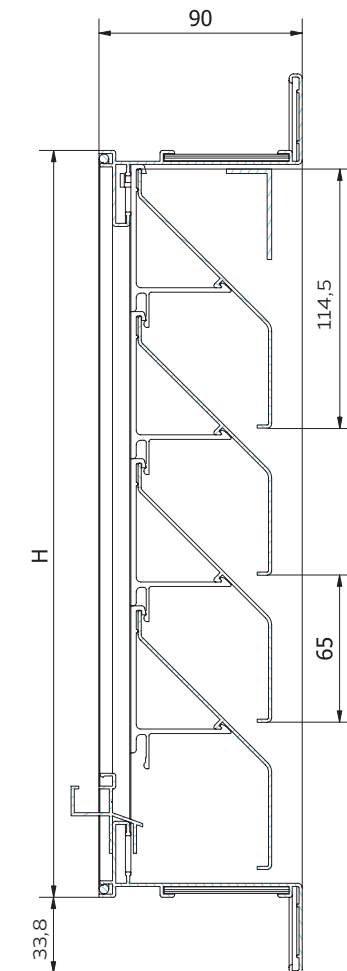
BRL65Z-FL EWR

Wall louvre with flange with 65 Z-blade



| TECHNICAL DETAILS | |
|---------------------------------|--|
| Profile | Extruded alu profiles EN AW-6060 T66 (AlMgSi0.5 F22) |
| Profile thickness | min. 1,4 mm |
| Height of the blade | 114,5 mm |
| Blade pitch | 65 mm |
| Depth to fit | 84 mm |
| Flange depth | 33,8 mm |
| Visual free area | 31% |
| Physical free area | 14% |
| Stainless steel mesh | RVS (AISI 304) with apertures 2.3 x 2.3 mm |
| Reinforcement | Louvres wider than 700 mm are provided with a reinforcement profile carrying additional blade supports to strengthen the wide louvre |
| INSTALLATION | |
| Brackets (supplied as standard) | |
| SHAPES | |
| Rectangular. square | |
| OPTIONS | |
| Insect mesh; water gutter. | |

| DIMENSIONS | |
|---|--|
| Min. dimension (height x width): 200 x 200 mm | |
| Max. dimension (height x width): 2000 x 4000 mm | |
| Other dimensions on request | |



FL EWR

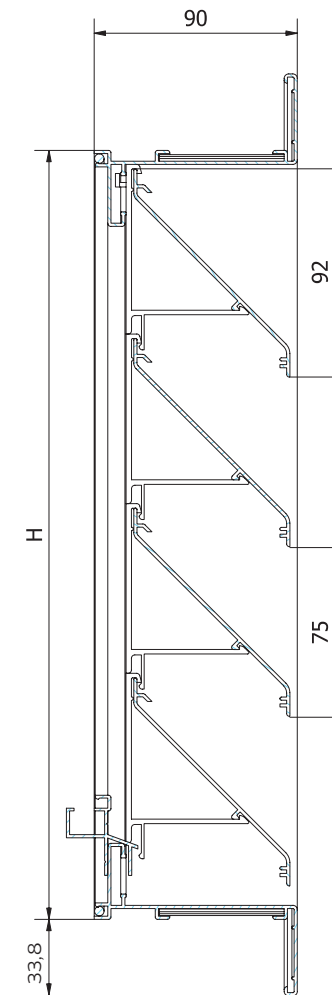
BRL75Z-FL

Wall louvre with flange with 75 Z-blade



| TECHNICAL DETAILS | |
|---------------------------------|--|
| Profile | Extruded alu profiles EN AW-6060 T66 (AlMgSi0.5 F22) |
| Profile thickness | min. 1,4 mm |
| Height of the blade | 92 mm |
| Blade pitch | 75 mm |
| Depth to fit | 84 mm |
| Flange depth | 33,8 mm |
| Visual free area | 83% |
| Physical free area | 57% |
| Stainless steel mesh | RVS (AISI 304) with apertures 2.3 x 2.3 mm |
| Reinforcement | Louvres wider than 700 mm are provided with a reinforcement profile carrying additional blade supports to strengthen the wide louvre |
| INSTALLATION | |
| Brackets (supplied as standard) | |
| SHAPES | |
| Rectangular. square | |
| OPTIONS | |
| Insect mesh; water gutter. | |

| DIMENSIONS |
|---|
| Min. dimension (height x width): 300 x 300 mm |
| Max. dimension (height x width): 2000 x 4000 mm |
| Other dimensions on request |



FL



**WATER
RESISTANT**

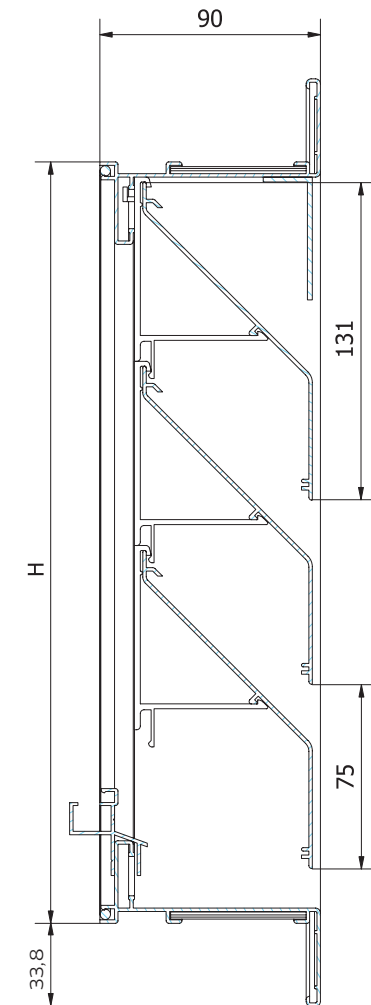
BRL75Z-FL EWR

Wall louvre with flange with 75 Z-blade



| TECHNICAL DETAILS | |
|---------------------------------|--|
| Profile | Extruded alu profiles EN AW-6060 T66 (AlMgSi0.5 F22) |
| Profile thickness | min. 1,4 mm |
| Height of the blade | 131 mm |
| Blade pitch | 75 mm |
| Depth to fit | 84 mm |
| Flange depth | 33,8 mm |
| Visual free area | 33% |
| Physical free area | 23% |
| Stainless steel mesh | RVS (AISI 304) with apertures 2.3 x 2.3 mm |
| Reinforcement | Louvers wider than 700 mm are provided with a reinforcement profile carrying additional blade supports to strengthen the wide louver |
| INSTALLATION | |
| Brackets (supplied as standard) | |
| SHAPES | |
| Rectangular. square | |
| OPTIONS | |
| Insect mesh; water gutter. | |

| DIMENSIONS |
|---|
| Min. dimension (height x width): 300 x 300 mm |
| Max. dimension (height x width): 2000 x 4000 mm |
| Other dimensions on request |



FL EWR

BRL-DR

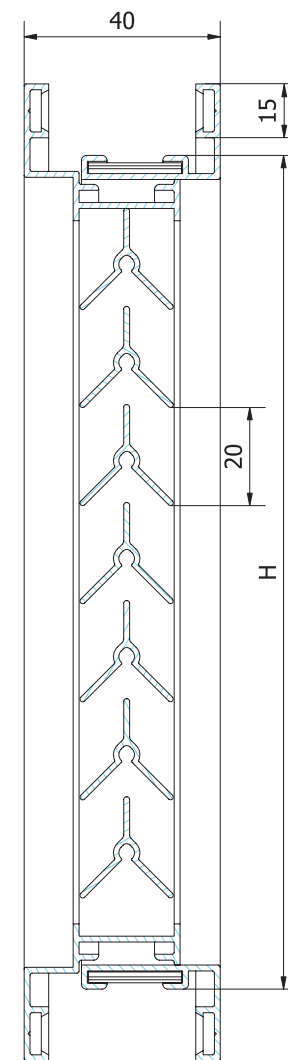
Door louvre



| TECHNICAL DETAILS | |
|-----------------------------|--|
| Profile | Louvre with counterframe without see-through |
| Door thickness | Od 30 do 54 mm |
| The distance between blades | 20 mm |
| Flange depth | 15 mm |
| Max. width (1 piece) | 800 mm |

| INSTALLATION | |
|-------------------|--|
| Screws (included) | |

| DIMENSIONS |
|--|
| Min. dimension (height x width): 200 x 200 mm |
| Max. dimension (height x width): 2000 x 800 mm |
| Other dimensions on request |



DR

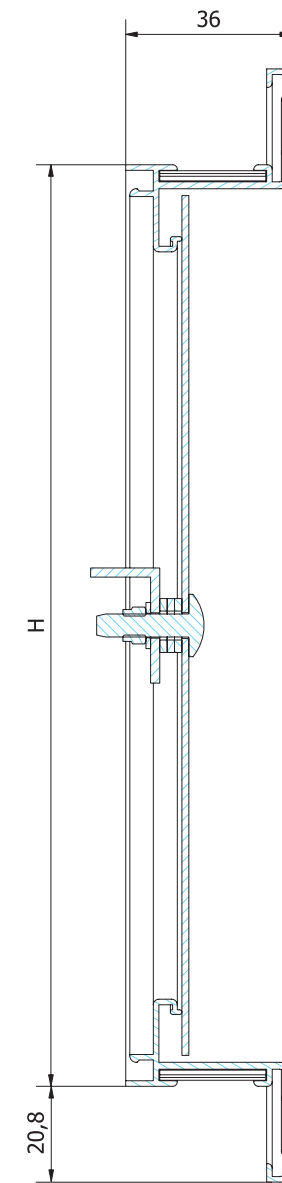
BRL-KDVL

Cable feed channel



| TECHNICAL DETAILS | |
|---------------------------------|--|
| Profile | Extruded alu profiles EN AW-6060 T66 (AlMgSi0.5 F22) & alu-plaat - AlMg3 |
| Depth to fit | 30,6 mm |
| Flange depth | 20,8 mm |
| INSTALLATION | |
| Brackets (supplied as standard) | |

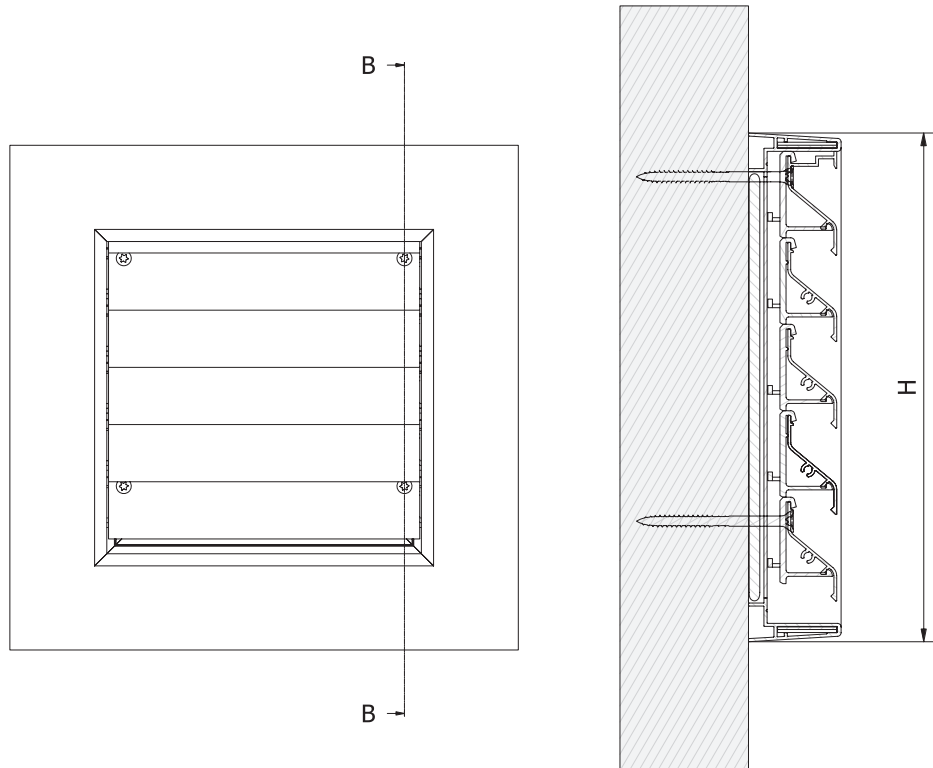
| DIMENSIONS |
|---|
| Min. dimension (height x width): 200 x 200 mm |
| Max. dimension (height x width): 300 x 300 mm |
| Other dimensions on request |



INSTALLATION GUIDELINES

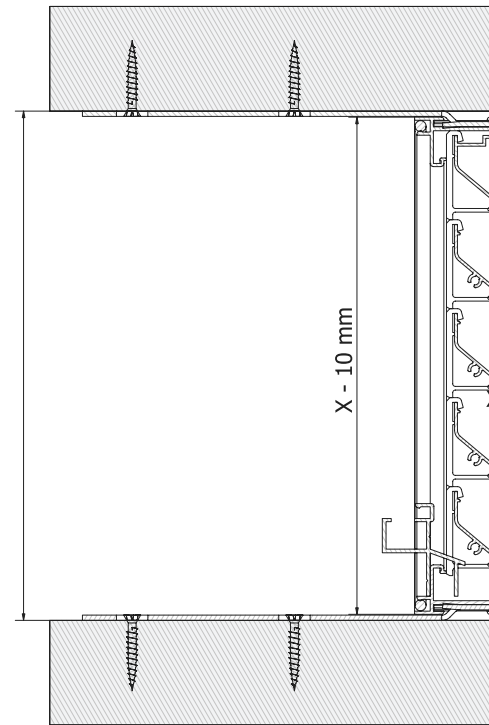
Surface mounted louvre (type SM)

- installation with screws and pins (not included)



Flanged wall louvre (FL)

- mounting with brackets (included)



Colours & Finishes

Brookvent louvres are manufactured using aluminium which is, being totally recyclable, one of the most sustainable materials. Aluminium also has the benefit of various finishes.

Brookvent louvres are available in mill finish, polyester powder coating and anodised finishes to suit your project.

The myriad of finishes available mean we can match almost any requirement. We can offer finishes suitable for all environments.

Please contact us with your needs and we will endeavour to provide the best solutions for you.



BROOKVENTTM

Brook House, Dunmurry Industrial Estate, Dunmurry, Belfast, Co. Antrim, BT17 9HU
Tel: +44 (0)28 9061 6505 / Fax: +44 (0)28 9061 6518 / Email: hello@brookvent.co.uk